

Datamate J-Tek Specification

Materials

Mouldings:	Glass-filled thermoplastic UL94V-0
Female contacts:	Brass shell, with Beryllium Copper inner contact
Male contacts:	Copper alloy
Finish:	See individual pages

Electrical

Current	
Individual contacts in isolation:	3.3A max (at 25°C) 2.6A max (at 85°C)
All contacts simultaneously:	3.0A max (at 25°C) 2.2A max (at 85°C)
Working voltage	
At sea level 1013 mbar:	800V DC or AC _{rms}
Voltage proof	
At sea level 1013 mbar:	1,200V DC or AC _{rms}
Contact resistance	
Initial:	20mΩ max
After conditioning:	25mΩ max
Insulation resistance	
Initial:	1,000MΩ min
After conditioning:	100MΩ min

Mechanical

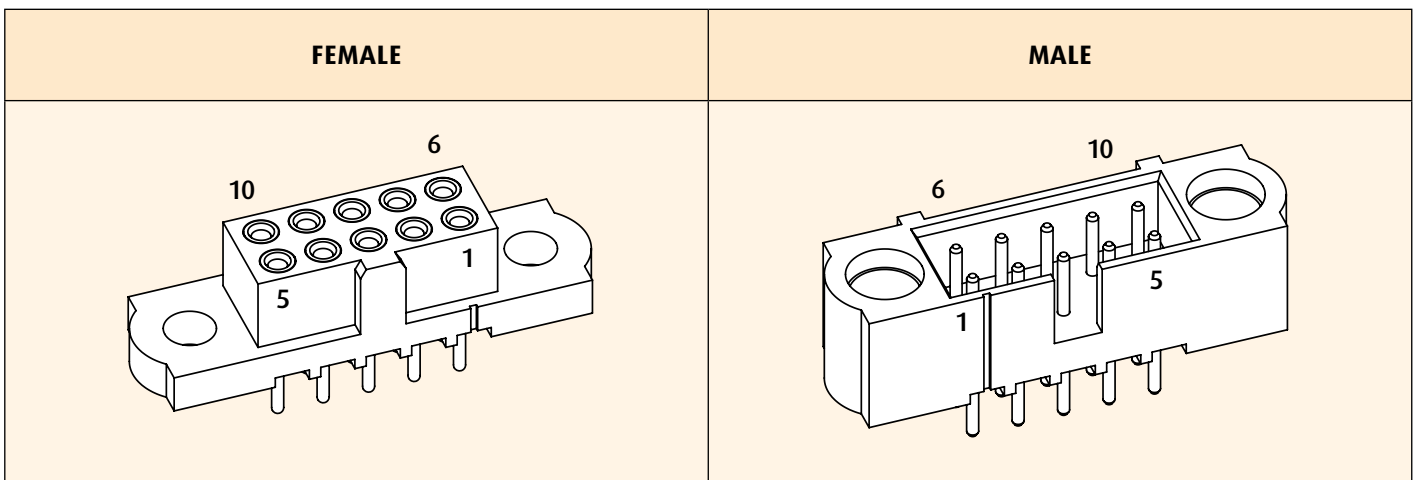
Durability	
Standard J-Tek:	500 operations
Trio-Tek:	400 operations
Insertion force (max):	2.8N
Withdrawal force (min):	0.2N
Signal crimp accommodation:	22 AWG to 32 AWG BS 3G 210 Type A, MIL-W-16878

Environmental

Environmental classification:	55/125/56 days at 95% RH
Operational temperature:	-55°C to +125°C
*Vibration sensitivity:	10Hz to 2000Hz, 0.75mm, 98m/s ² (10G), duration 6h
*Bump severity:	390m/s ² (40G), 4000 ±10 bumps
*Shock severity:	981m/s ² (100G) for 6ms
*Acceleration severity:	490m/s ² (50G)

* Tested with connectors with Jackscrews.

Pin Numbering



All dimensions in mm.