

4

3

2

1

THIS DRAWING IS UNPUBLISHED.

RELEASED FOR PUBLICATION

-. -. .

LOC

DIST

REVISIONS

© COPYRIGHT - By -

ALL RIGHTS RESERVED.

AD

00

P

LTR

DESCRIPTION

DATE

DWN

APVD

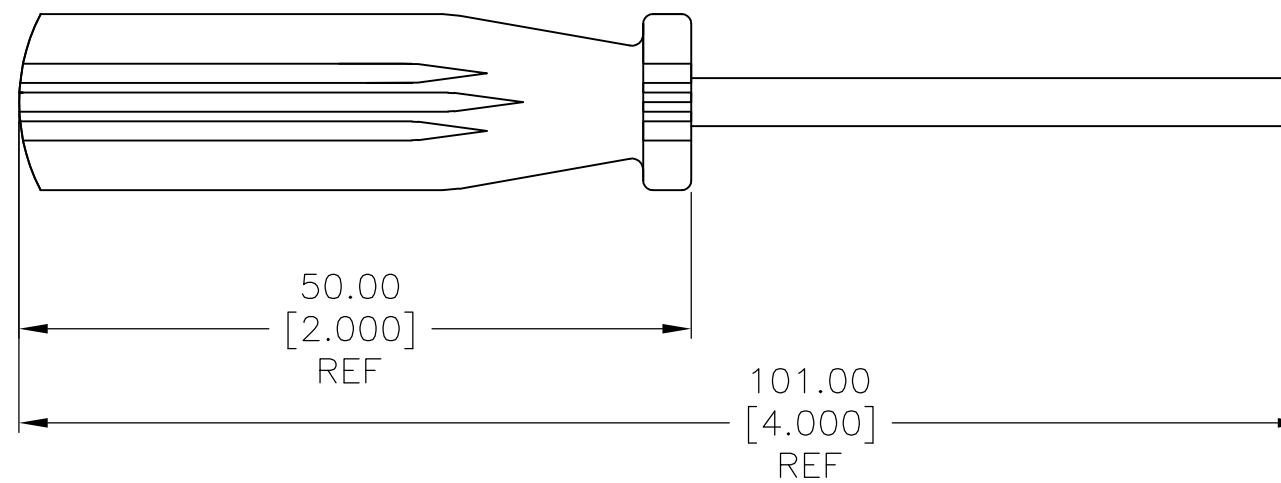
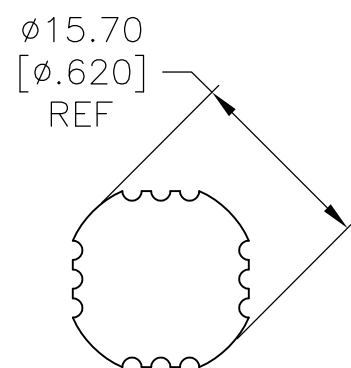
E

REVISED PER ECO-14-000417

10JAN2014

NK

RH



THIS DRAWING IS A CONTROLLED DOCUMENT.

DWN W.SORAH 4-25-95

CHK R.TALLEY 4-25-95

APVD D.HUFFMAN 4-25-95

PRODUCT SPEC

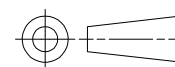
APPLICATION SPEC

WEIGHT -

CUSTOMER DRAWING

DIMENSIONS:
mm [INCHES]

TOLERANCES UNLESS OTHERWISE SPECIFIED:



- 0 PLC ± -
- 1 PLC ± -
- 2 PLC ± 0.5 [.02]
- 3 PLC ± -
- 4 PLC ± -
- ANGLES ± -

MATERIAL -

FINISH -



NAME TOOL, HAND, SHUNT CIRCUIT BREAKING

SIZE CAGE CODE DRAWING NO RESTRICTED TO

A3 00779 C-435862

SCALE 2:1 SHEET 1 OF 1 REV E