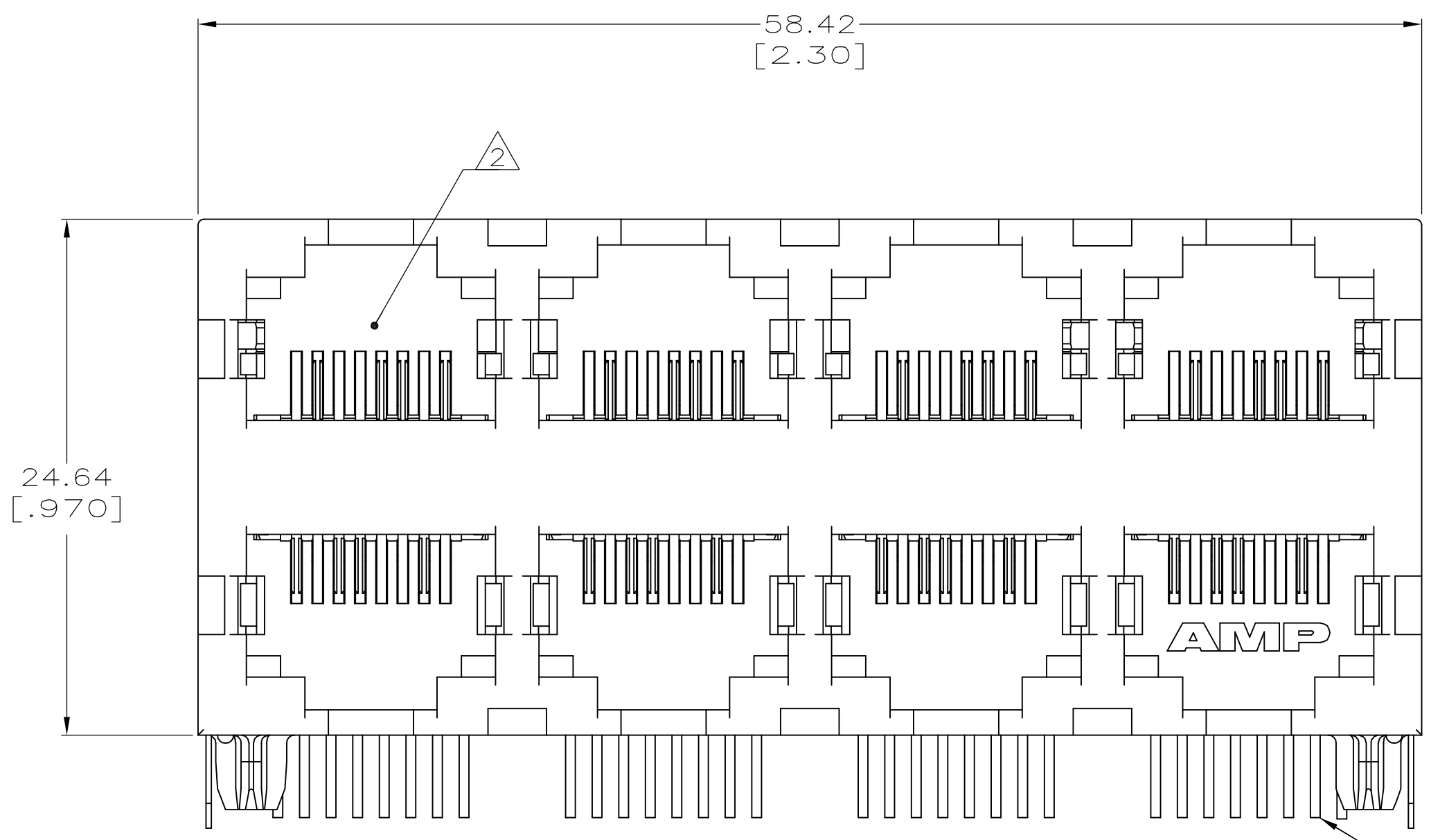
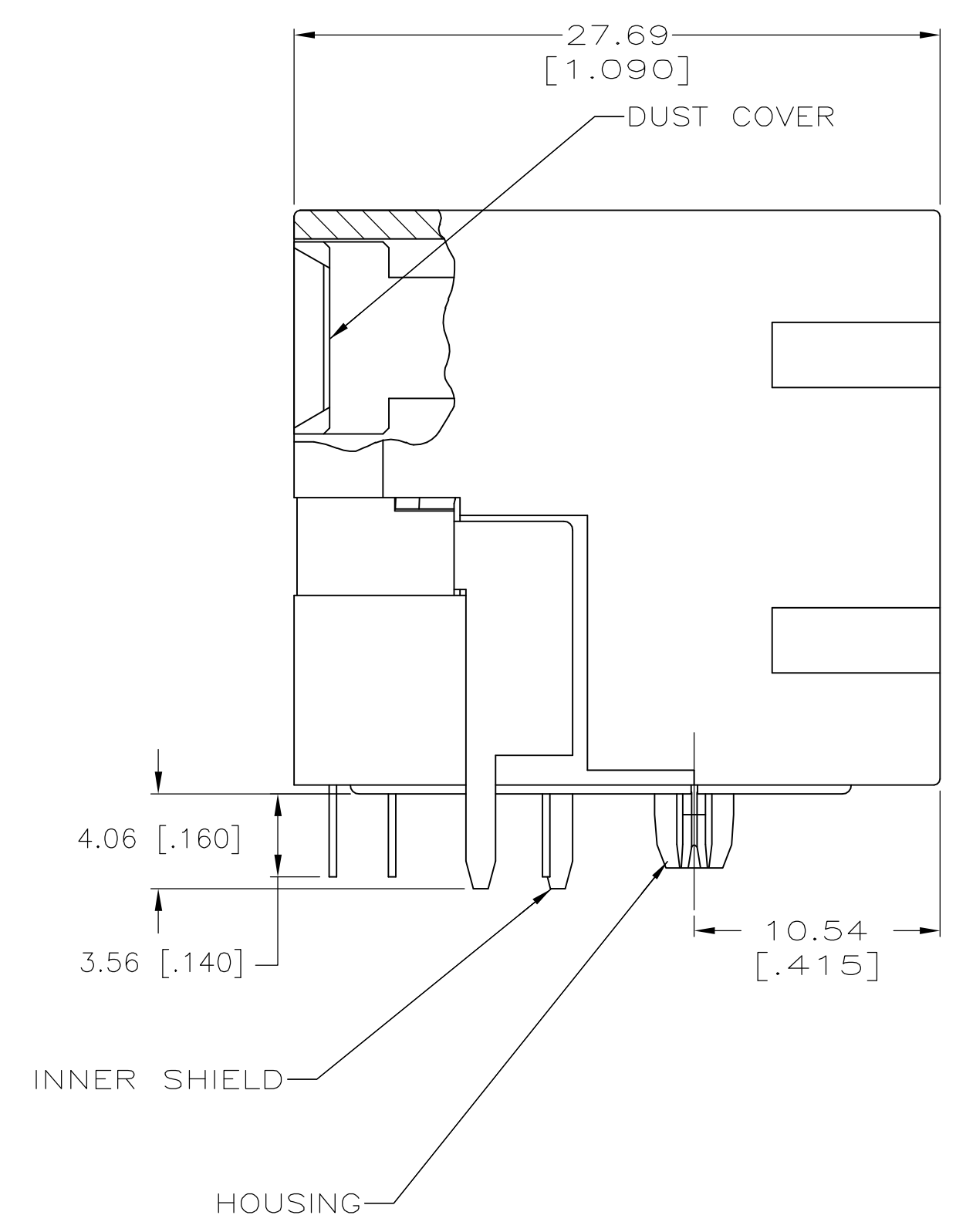
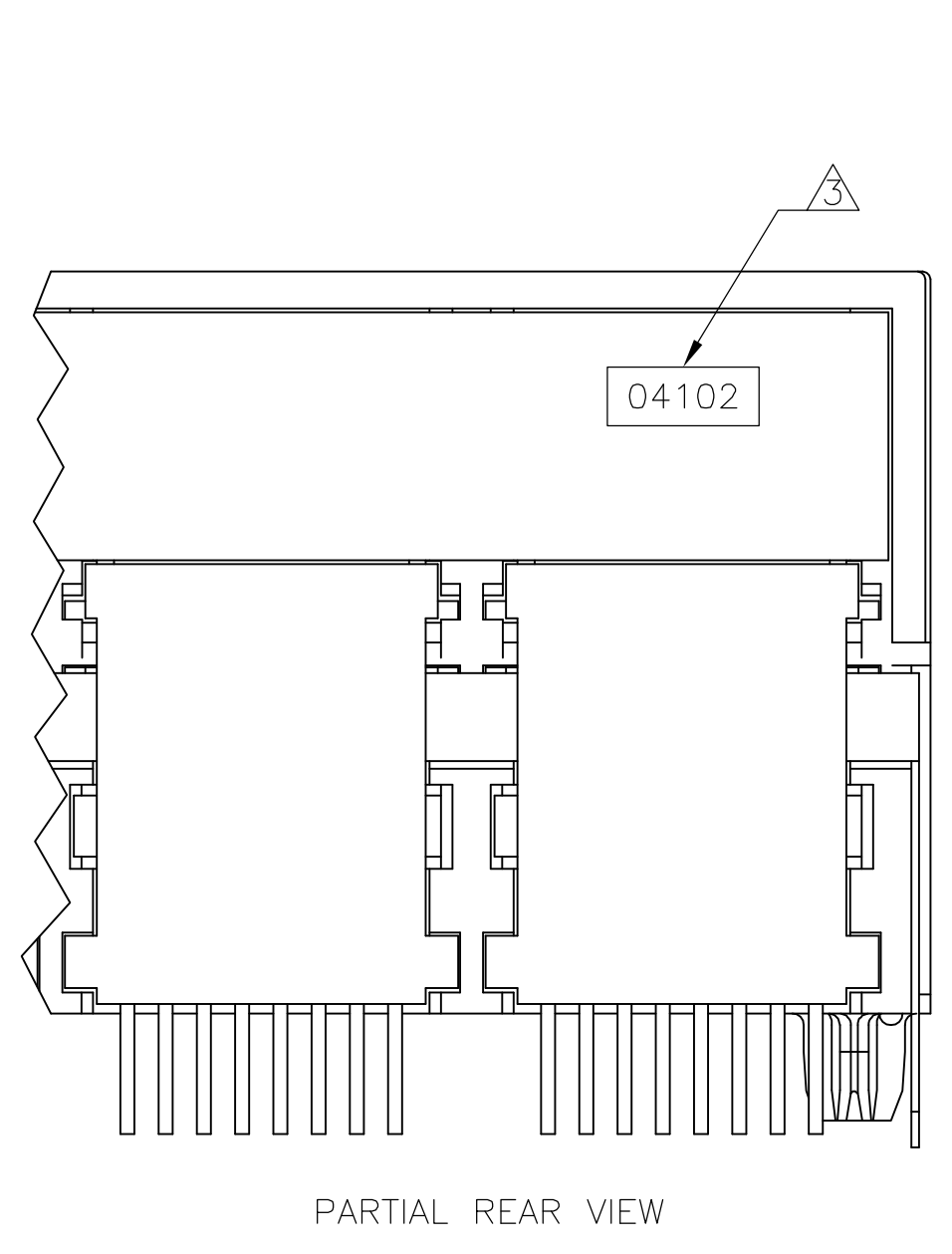


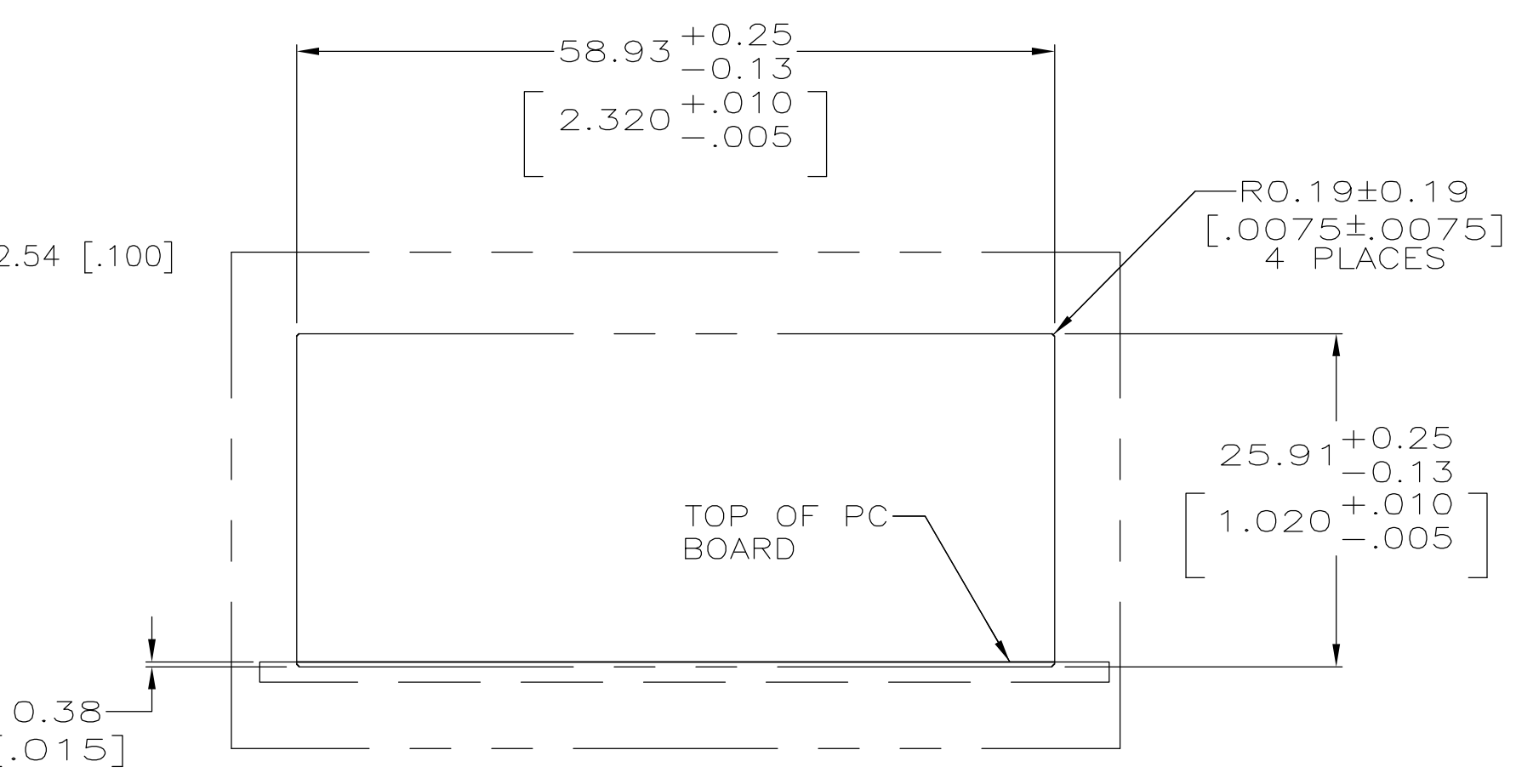
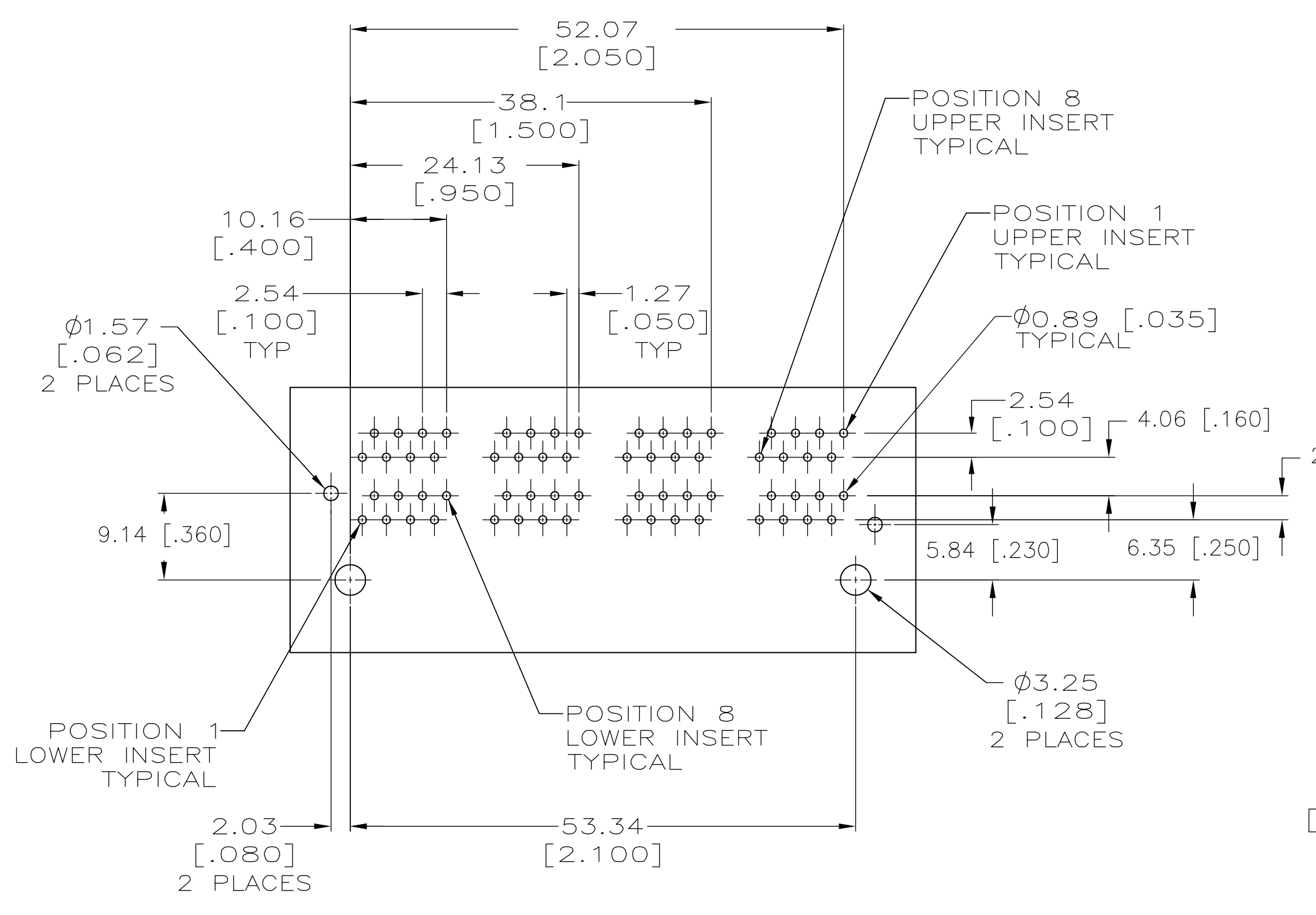
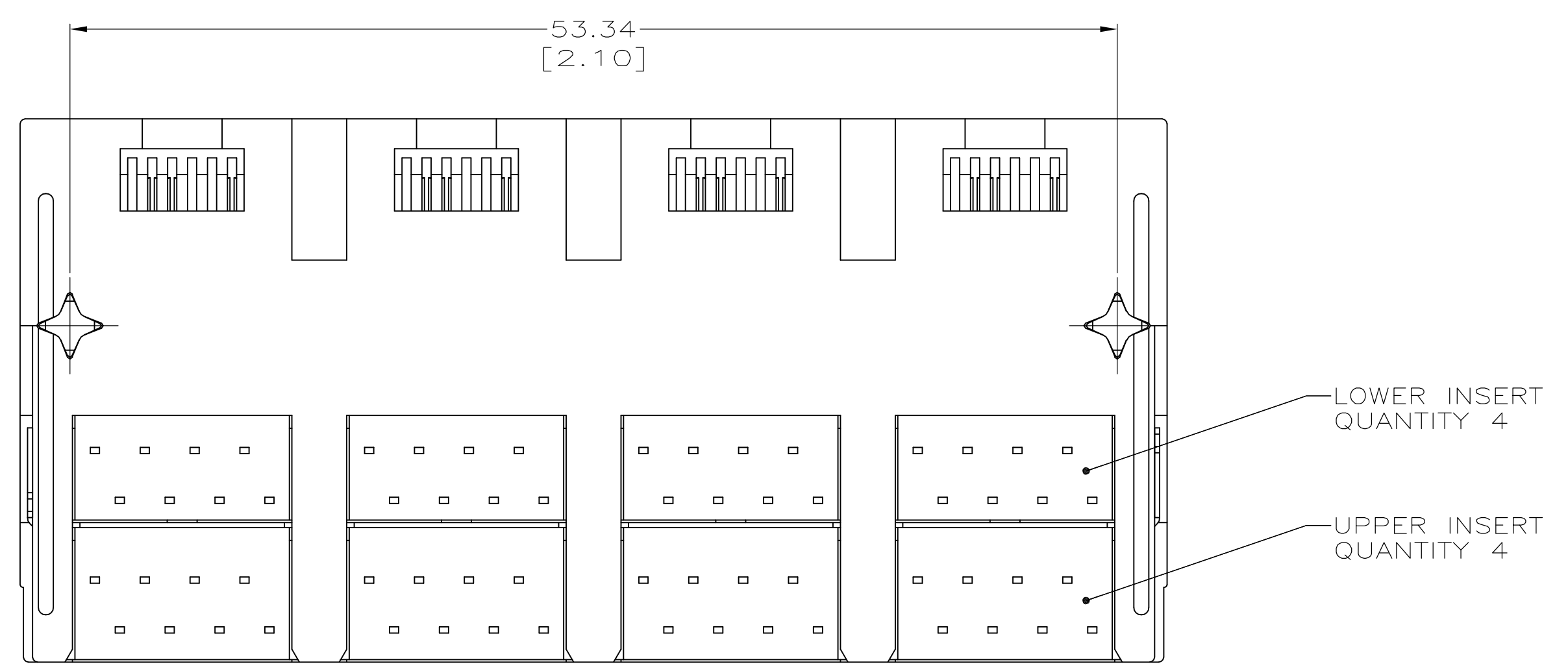
LOC		DIST		REVISIONS			
AA	22	F	LTR	DESCRIPTION	DATE	DN	APVD
A	REV PER EC	OS11-0201-04			13JUN2005	AF	SF



**MATERIAL:**  
 HOUSING - PCT POLYESTER, BLACK, UL94V-0.  
 OVERMOLDED TERMINAL ARRAY - PBT, BROWN.  
 TERMINALS - 0.33 [.013] THICK PHOS BRONZE PLATED WITH 1.27µm [.000050] MIN THICK HARD GOLD IN LOCALIZED AREA AND 3.81µm [.000150] MIN THICK MATTE TIN IN SOLDER AREA OVER 1.27µm [.000050] MIN THICK NICKEL UNDERPLATE.  
 SHIELD - 0.25 [.010] THICK COPPER ALLOY PLATED WITH 2.03µm [.000080] MIN THICK TIN OVER 1.27µm [.000040] MINIMUM THICK NICKEL.

**JACK CAVITY CONFORMS TO FCC RULES AND REGULATIONS, PART 68 SUBPART F.**

**DATE CODE LABEL LOCATED ON REAR OF PART APPROXIMATELY AS SHOWN:**  
 FIRST 2 DIGITS ARE LAST 2 DIGITS OF YEAR, SECOND 2 DIGITS ARE MANUFACTURING WORK WEEK, LAST DIGIT IS DAY OF WEEK, WITH SUNDAY = 1.



5569252-1  
 PART NUMBER

THIS DRAWING IS A CONTROLLED DOCUMENT.		DIN	13JUN2005		Tyco Electronics Corporation	
		A. FERNANDEZ-DUCKS	13JUN2005		Harrisburg, Pa 17105-3608	
DIMENSIONS: mm [INCHES]		TOLERANCES UNLESS OTHERWISE SPECIFIED:		APVD	S. FLICKINGER	
0 PLC ± -		1 PLC ± -		PRODUCT SPEC	108-1163-2	
2 PLC ± 0.25(.01)		3 PLC ± 0.13(.005)		APPLICATION SPEC	114-2048	
4 PLC ± -		ANGLES ± -		SIZE	A1	
MATERIAL		FINISH		WEIGHT	00779	
				CUSTOMER DRAWING	SCALE 4:1 SHEET 1 OF 1 REV A	