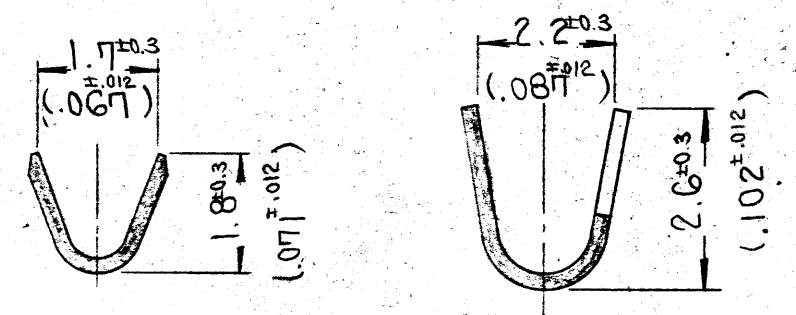
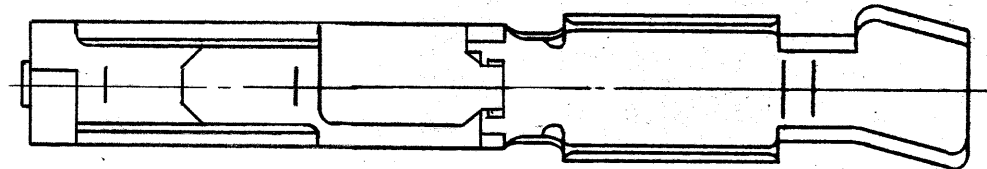
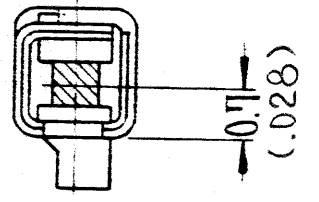
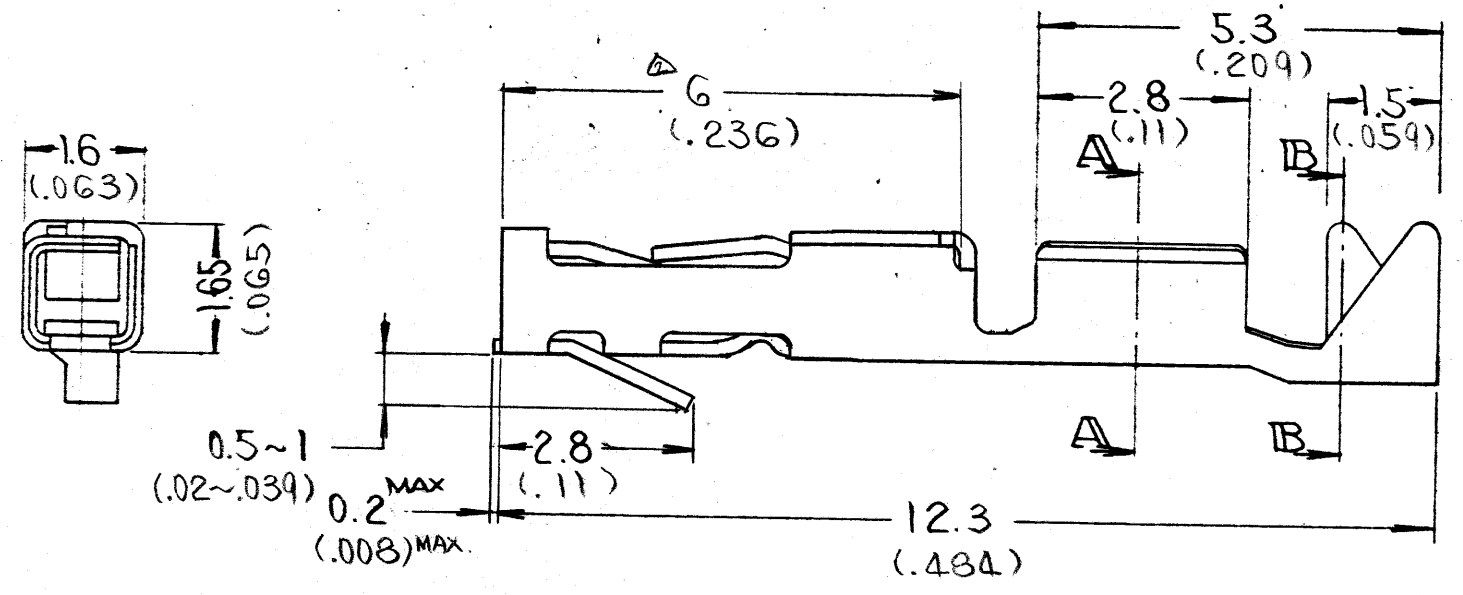


DWG. NO.	SYM.
SJ016352E	3

SYM.	DCN NO.	DESCRIPTION	DATE	DRAWN	CHECKED	APP'D	APP'D
2	15116	6.5(.256) → 6(.236)	4.MAR.1982	<i>M. Sasaki</i>	<i>T. Nagahide</i>	<i>T. Yajima</i>	
3	50963	CHANGED TO SI UNIT SYSTEM	13.Nov.2002	<i>M. Sasaki</i>	<i>K. Kawase</i>	<i>S. Kashiwagi</i>	



SECTION A-A (CONTACT CRIMPING BARREL) SECTION B-B (INSULATION CRIMPING BARREL)



CROSS SECTION (MATED WITH PIN)

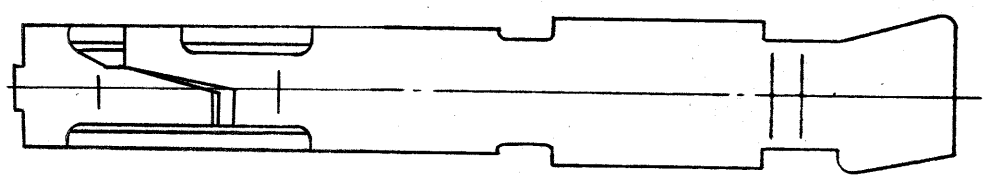


TABLE 1. PART NO. DIMENSIONS AND CONTACT FINISH

PART NO.	PART NAME	FINISH	
		MATING PORTION	OTHER AREA
030-51307-001	PS-SF-C1-1	GOLD FLASH OVER NICKEL	GOLD FLASH OVER NICKEL
↑ ↓ -002	↑ ↓ -2	GOLD, 0.3 μm MIN Δ OVER NICKEL	GOLD FLASH OVER NICKEL
030-51307-003	PS-SF-C1-3	GOLD, 0.76 μm MIN Δ OVER NICKEL	GOLD FLASH OVER NICKEL

- NOTE 1. MATING PIN SIZE : 0.64 ± 0.05 (0.025 ± 0.002)
 2. USABLE WIRE SIZE : STRANDED WIRE, AWG 22 TO AWG 24
 OUTER DIA. (INCLUDING INSULATION) : 1.2 (.047) TO 1.6 (.063)

UNLESS OTHERWISE SPECIFIED				DATE	22-JUN-1981	TITLE		JAPAN AVIATION ELECTRONICS IND. CO. LTD. FACTORY		
DIMENSIONS ARE IN MILLIMETERS. TOLERANCES ON: (INCHES)				DRAWN	E. MURANO	(PS-SF-C1 JAE-CONNECTOR.COM) 030-51307-00* Reference Only		NAKAGAWA-CHO, AKISHIMA-SHI TOKYO, JAPAN		
FRACTIONS	DECIMALS	ANGLES	CHECKED	<i>T. Nagahide</i>	DWG. NO.			SJ016352-E		
TREATMENT OR FINISH			APP'D	<i>T. Yajima</i>	SCALE			× 10		
t0.2 PHOSPHOR BRONZE			APP'D	<i>K. Kawase</i>	DWG. SIZE			B WT.		
NEXT ASS'Y	USED ON	NEXT ASS'Y	FINAL ASS'Y	APPLICATION		QTY REQ'D		SHEET		