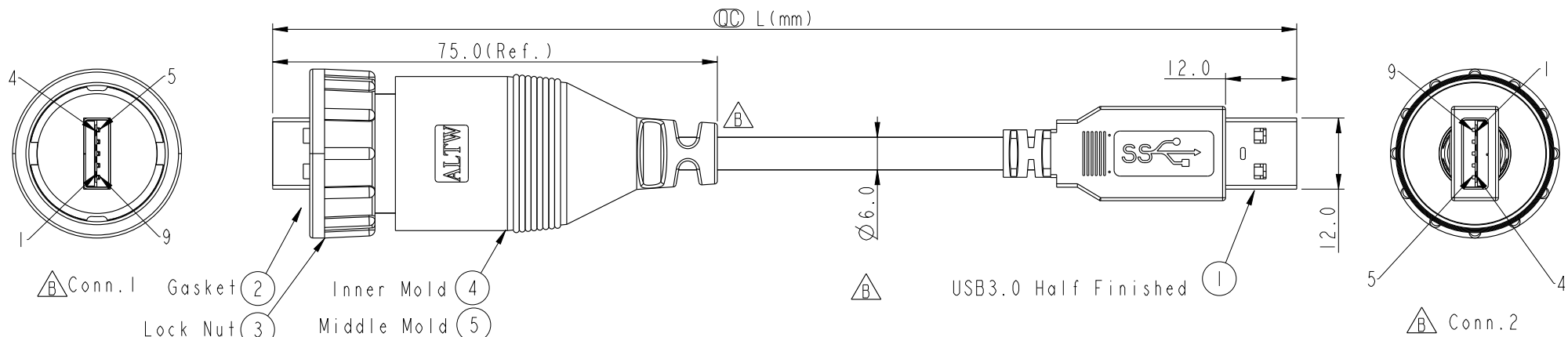


REV.	ECN NO.	DATE	SIGN	DESCRIPTION
B	LEN1760377-379	2017-06-10	Ouyang	Change Conn & Change Cable OD

THIS DOCUMENT IS SUBJECT TO CHANGE WITHOUT NOTICE. IT IS CONFIDENTIAL AND A PROPERTY OF Amphenol LTW. DISCLOSURE TO THIRD PARTY HAS TO BE AUTHORIZED BY Amphenol LTW.

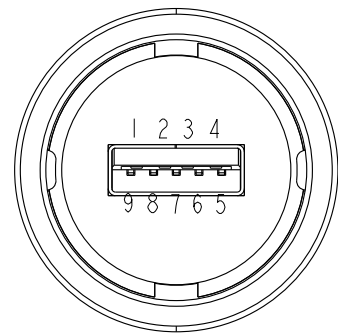


- △ Conn.1 Gasket (2)
- Lock Nut (3)
- Inner Mold (4)
- Middle Mold (5)
- Outer Mold (6)
- Color:Black

UA-30BFM-SD7B XX

XX : 01~03Meters
 01 : 01Meter
 02 : 02Meters
 ...
 03 : 03Meters

Cable Length(L):01~03Meters



Pin Assignments
Front View

Shield	Braid	編織	Shield	Shield	
9	Orange	28AWG 橙	SDP2+	9	Twist
8	Purple	28AWG 紫	SDP2-	8	
7	Drain	28AWG	SDP2_Drain	7	Twist
6	Yellow	28AWG 黃	SDP1+	6	
5	Blue	28AWG 藍	SDP1-	5	Twist
7	Drain	28AWG	SDP1_Drain	7	
4	Black	28AWG 黑	GND_PWRrt	4	Twist
3	Green	28AWG 綠	UTP_D+	3	
2	White	28AWG 白	UTP_D-	2	Twist
1	Red	28AWG 紅	PWR	1	
M Plug	Wire Color		Signal Name	M Plug	

Pin Out

Note:

- * (C) Important Dimension To Check.
- * Waterproof Rate: IP67
- * Jack: USB3.0-A Male Solder
- * Gasket: Silicone, Gray
- * Lock Nut: Nylon+GF, Black
- * Cable: UL2725(IPx28#+DAM)*2+1P*28#+2C*28#+ABD, PVC Jacket, UV Resistant, OD=6.0mm, Black
- * Cable Length Tolerance: 01M:40mm
02M~03M:±60mm
- * All of Drain twisted together.

UNIT:mm TOLERANCE ±0.5	TITLE USB 3.0, Cable Lock F Conn M Pin to A Plug			Amphenol LTW 安費諾亮泰企業股份有限公司	ITEM NO	DRAWN BY Ouyang	DATE 2017-06-10
	SCALE 1:1	SIZE A4	SHEET 1 OF 1		DWG NO UA-30AFM-LD7BXX	CHECKED BY Feng-li	DATE 2017-06-10
	REV. B	WC-REV. A.2	(C): Inspection item		CUSTOMER ALTW	APPROVED BY Jerry	DATE 2017-06-10