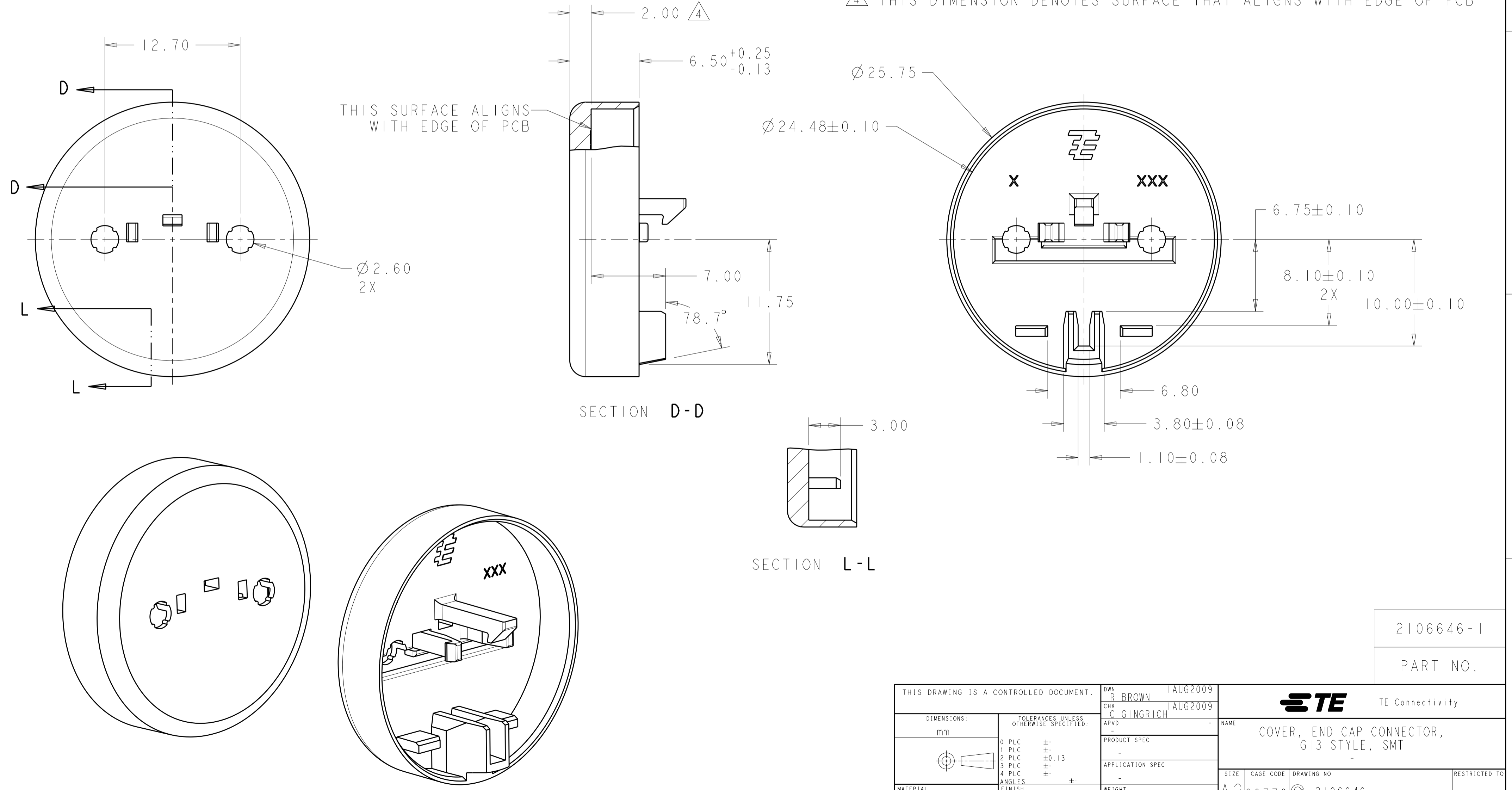


THIS DRAWING IS UNPUBLISHED. RELEASED FOR PUBLICATION 20
 © COPYRIGHT 20 BY - ALL RIGHTS RESERVED.

REVISIONS					
P	LTR	DESCRIPTION	DATE	DWN	APVD
	AI	REVISED PER ECO-11-004820	11MAR2011	RK	HMR

- 1. MATERIAL: PBT. COLOR: NATURAL
- 2. THIS PRODUCT HAS NOT COMPLETED VALIDATION TESTING
- 3. MUST COMPLY WITH DIRECTIVE 2002/95/EC (ROHS)
- 4. THIS DIMENSION DENOTES SURFACE THAT ALIGNS WITH EDGE OF PCB



2106646-1
 PART NO.

THIS DRAWING IS A CONTROLLED DOCUMENT.		DWN R. BROWN 11AUG2009	TE Connectivity	
		CHK C. GINGRICH 11AUG2009		
DIMENSIONS: mm		APVD -		NAME COVER, END CAP CONNECTOR, G13 STYLE, SMT
TOLERANCES UNLESS OTHERWISE SPECIFIED:		PRODUCT SPEC -		SIZE A200779
0 PLC ±-		APPLICATION SPEC -		DRAWING NO C-2106646
1 PLC ±-		WEIGHT -		RESTRICTED TO -
2 PLC ±0.13		CUSTOMER DRAWING		SCALE 4:1
3 PLC ±-				SHEET 1
4 PLC ±-				OF 1
ANGLES ±-				REV AI
FINISH				