

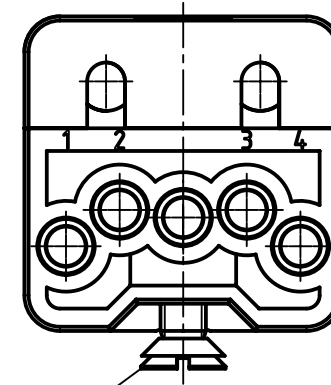
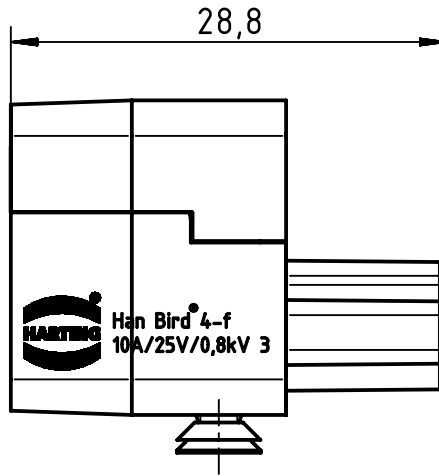
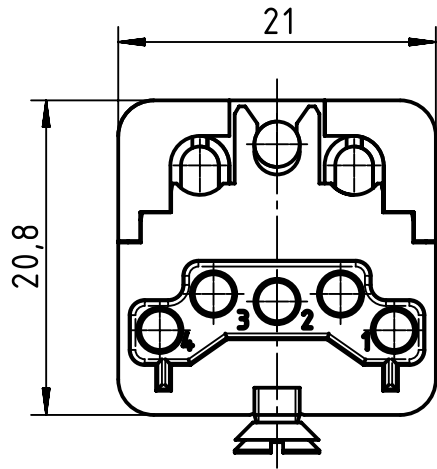
1 2 3 4 5 6

A

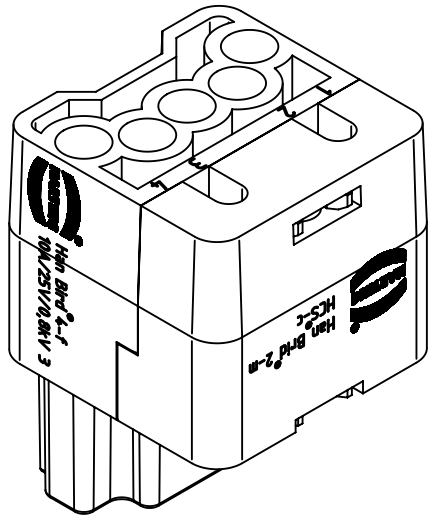
B

C

D



countersunk screw M3x6  
enclosed separately



	All Dimensions in mm Original Size DIN A4	Scale 2:1		Free size tol.		Ref.	
						Sub.	
	All rights reserved Department EL PD - DE	Created by FINKEV	Inspected by SCHNIEDER	Standardisation TIEMANNA	Date 2014-02-17	State Final Release	
		Title Han Brid-Male-C+2 FOC-Male-C (K)					Doc-Key / ECM-Nr. 100205817/UGD/004/A 500000071208
HARTING Electric GmbH & Co. KG D-32339 Espelkamp		Type TB	Number 09 12 004 3116			Rev. A	Page 1/1