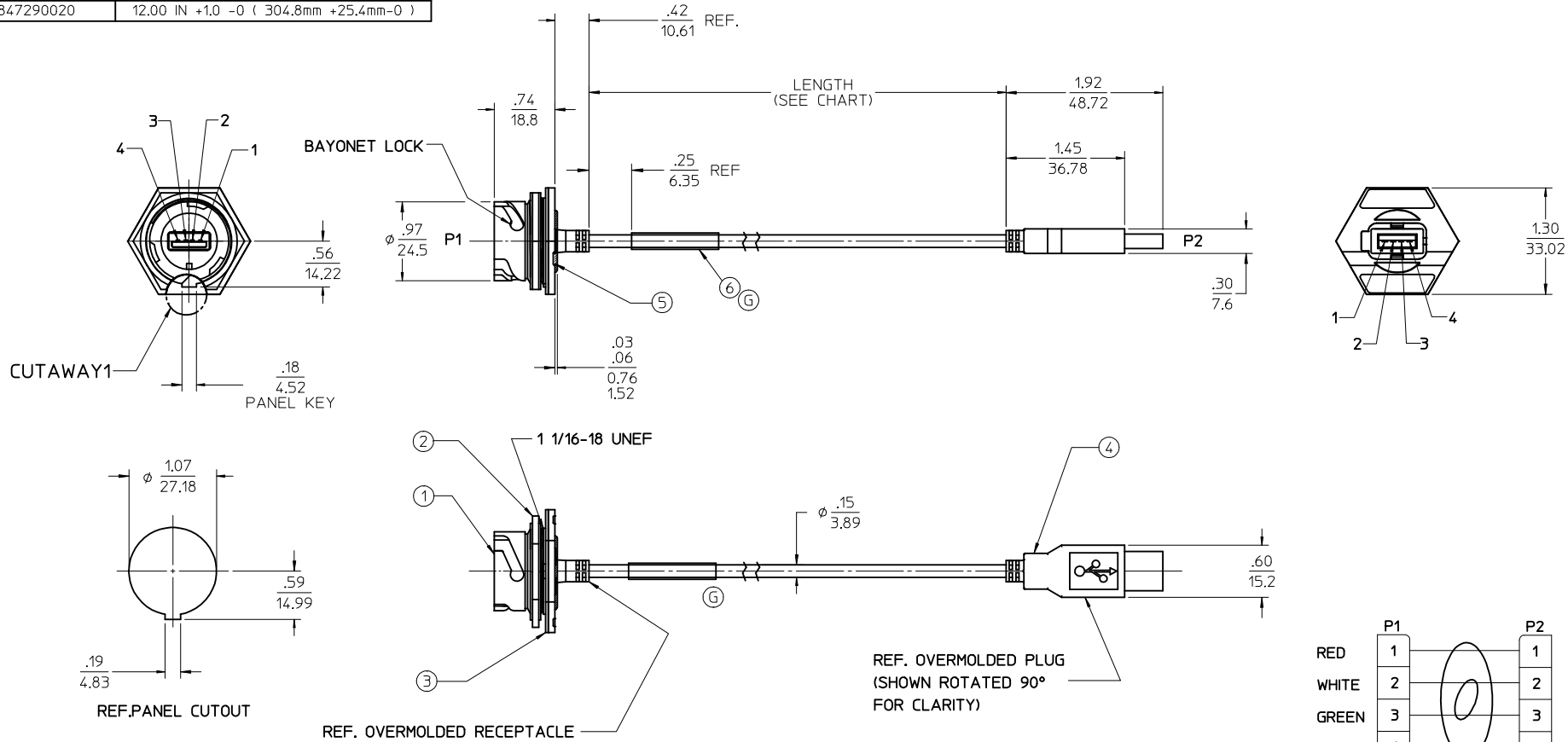


MATERIAL NO.	LENGTH
847290003	6.00 IN +.47 -0 (152.0mm +12mm-0)
847290004	31.88 IN +1.00-0 (810.0mm +25.4mm-0)
847290005	51.57 IN +1.00-0 (1310.0mm +25.4mm-0)
847290006	81.89 IN +1.57-0 (2080.0mm +40.0mm-0)
847290007	131.10 IN +3.15-0 (3330mm +80.0mm-0)
847290008	196.90 IN +3.94-0 (5000mm +100.0mm-0)
847290011	3.00 IN +.47 -0 (76.2mm +12mm-0)
847290020	12.00 IN +1.0 -0 (304.8mm +25.4mm-0)

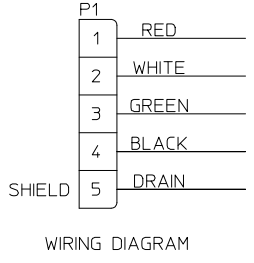
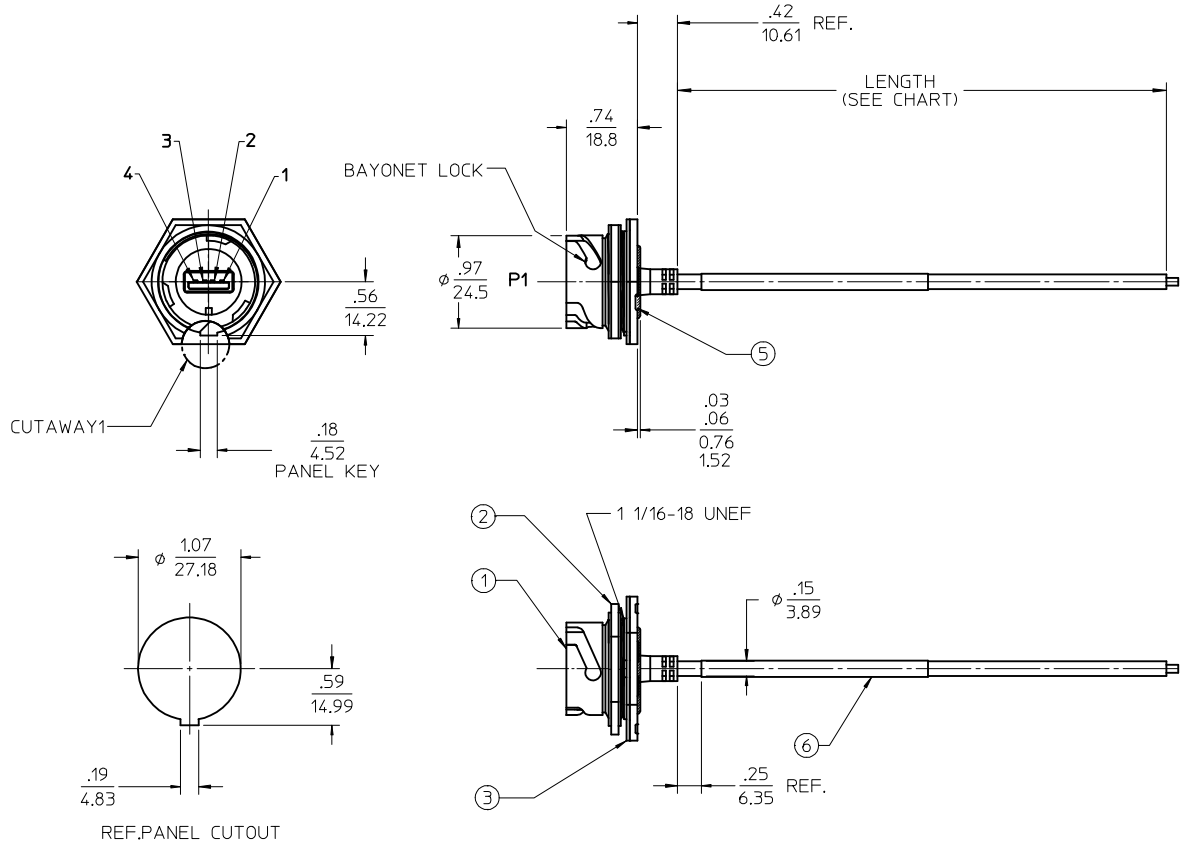


- NOTES:
- MATERIAL: SEE TABLE
 - FINISHES: SEE TABLE
 - CABLE MATERIAL:
OVERMOLD & JACKET: PVC
SHELL: PHOSPHOR BRONZE, NI PLATED
CONTACTS: PHOSPHOR BRONZE, GOLD PLATED
WIRE: 28 AWG
 - ASSEMBLY IS RoHS COMPLIANT

ITEM	QTY.	DESCRIPTION	MATERIAL	FINISH
6	1	WRAP LABEL	VINYL	YELLOW/BLACK
5	A/R	POTTING COMPOUND	EPOXY	BLACK
4	1	USB-A CABLE SUB-ASSEMBLY, SHIELDED	AS NOTED	AS NOTED
3	1	PANEL GASKET	NEOPRENE	BLACK
2	1	LOCKNUT	NYLON PA66, UL94HB	BLACK
1	1	RECEPTACLE HOUSING	PBT, UL94 V-0	BLACK

ADDED LABEL EC NO: IPG2015-0785 DRWNGGUSTAFSON 2014/10/28 CHKD:BRUPERT 2014/11/30 APPR:BMOODMAN 2014/12/02	QUALITY SYMBOLS $\nabla=0$ $\nabla=0$	GENERAL TOLERANCES (UNLESS SPECIFIED)		DIMENSION STYLE IN/MM	SCALE 1:1	DESIGN UNITS INCH	THIRD ANGLE PROJECTION
		4 PLACES \pm --- \pm --- 3 PLACES \pm --- \pm --- 2 PLACES \pm --- $\pm .01$ 1 PLACE ± 0.25 \pm --- ANGULAR $\pm 1/2^\circ$	DRAWN BY: R.STONE DATE: 2007/02/15 CHECKED BY: J.MACNEIL DATE: 2007/02/20 APPROVED BY: J.MACNEIL DATE: 2007/02/20	TITLE USB-A CORD ASSEMBLY PLUG & RECEPTACLE		MOLEX INCORPORATED	
DRAFT WHERE APPLICABLE MUST REMAIN WITHIN DIMENSIONS		SEE CHART		DOCUMENT NO. SD-84729-006		THIS DRAWING CONTAINS INFORMATION THAT IS PROPRIETARY TO MOLEX INCORPORATED AND SHOULD NOT BE USED WITHOUT WRITTEN PERMISSION	

MATERIAL NO.	LENGTH
847290010	6.00 IN +.47 -0 (152.0mm +12-0)



CUSTOMER PRODUCTION APPROVAL
 APPROVED BY: _____
 DATE: _____
 MUST BE SIGNED AND RETURNED BEFORE
 PRODUCTION WILL BEGIN.

SALES DRAWING

- NOTES:
1. MATERIAL: SEE TABLE
 2. FINISHES: SEE TABLE
 3. MATERIAL:
CABLE: 28AWG, PVC, BLACK, RATED TO 80°C
SHELL: PHOSPHOR BRONZE, NI PLATED
CONTACTS: PHOSPHOR BRONZE, GOLD PLATED
 4. ASSEMBLY IS RoHS COMPLIANT
 5. PANEL THICKNESS: .10" MAX

ITEM	QTY.	DESCRIPTION	MATERIAL	FINISH
6	1	PRODUCT LABEL	VINYL	YELLOW
5	A/R	POTTING COMPOUND	EPOXY	BLACK
4	1	USB-A CABLE SUB-ASSEMBLY, SHIELDED	AS NOTED	AS NOTED
3	1	PANEL GASKET	NEOPRENE	BLACK
2	1	LOCKNUT	PBT, UL-94V-0	BLACK
1	1	RECEPTACLE HOUSING	PBT, UL-94V-0	BLACK

SHOW LABEL ON VIEWS
 EC NO: IPG2017-0065
 DRW: BRUPERT 2016/07/20
 CHKD: APPR: BWOODMAN 2016/08/11

QUALITY SYMBOLS
 ▽=0
 ▽=0

DESCRIPTION

GENERAL TOLERANCES (UNLESS SPECIFIED)

	mm	INCH
4 PLACES	± .005	± .0004
3 PLACES	± .003	± .0002
2 PLACES	± .002	± .0001
1 PLACE	± 0.25	± .010

ANGULAR ±1/2°

DRAFT WHERE APPLICABLE
 MUST REMAIN
 WITHIN DIMENSIONS

DIMENSION STYLE
 IN/MM

DRAWN BY DATE
 R.STONE 2007/02/15

CHECKED BY DATE
 J.MACNEIL 2007/02/20

APPROVED BY DATE
 J.MACNEIL 2007/02/20

MATERIAL NO.
SEE CHART

SIZE

SCALE 1:1
 DESIGN UNITS INCH
 THIRD ANGLE PROJECTION

TITLE
USB-A CORD ASSEMBLY RECEPTACLE

MOLEX INCORPORATED

DOCUMENT NO. **SD-84729-010**

SHEET NO. 1 OF 1

THIS DRAWING CONTAINS INFORMATION THAT IS PROPRIETARY TO MOLEX INCORPORATED AND SHOULD NOT BE USED WITHOUT WRITTEN PERMISSION