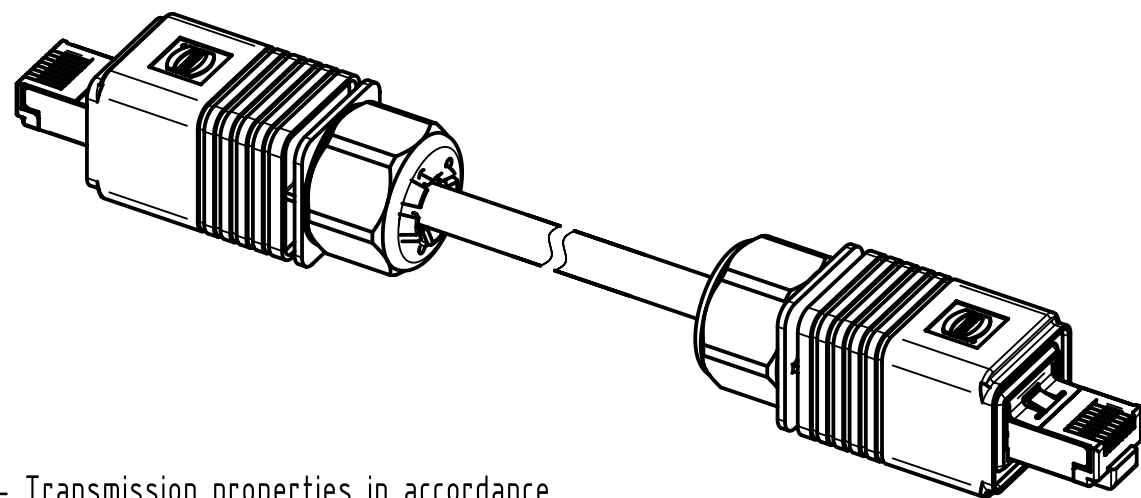
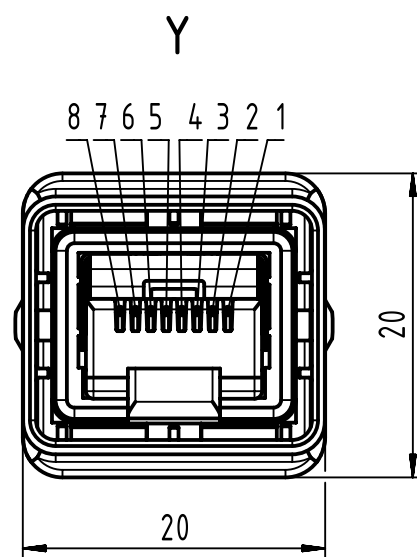
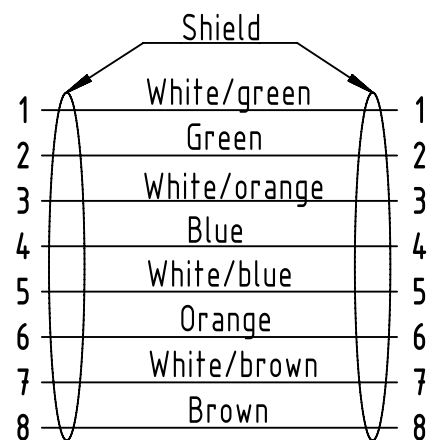
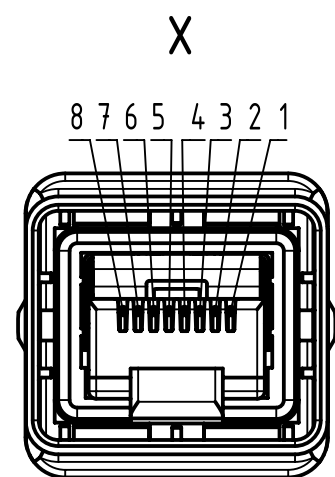


HARTING PushPull Gigalink Cat. 6A (plastic)  
Protection level: IP67/65

Mating face RJ45 acc. to IEC 60603-7

Loading-Plan  
acc. to EIA/TIA 568A



- Transmission properties in accordance  
with ISO/IEC 11801: Class D  
- Temperature range: -40°C ... +70°C

18	09457451116		20
17	09457451115		15
16	09457451114		10
15	09457451113		9
14	09457451112		8
13	09457451111		7
12	09457451110		6
11	09457451109		5
10	09457451108		4
9	09457451120		3.5
8	09457451107		3
7	09457451119		2.5
6	09457451106		2
5	09457451105		1.5
4	09457451118		1.2
3	09457451104		1
2	09457451103		0.5
1	09457451117		0.25
Cont. no.	Part no.	Type of cable	Dim. a[m]
		8xAWG 26/7, stranded outdoor, Cat. 5	

	All rights reserved Department EC PD - RO	Created by TAMAS	Inspected by AVRAM	Standardisation HOFFMANN	Date 2013-11-06	State Final Release	Ref. Sub.
HARTING Electronics GmbH D-32339 Espelkamp		Title RJ Industrial cable assembly			Doc-Key / ECM-Nr. 100118217/UGD/006/B 50000068168		Rev. B
		Type TB	Number 094574511XX				Page 1/1