

4

3

2

1

THIS DRAWING IS UNPUBLISHED.

RELEASED FOR PUBLICATION

AUG ,2006.

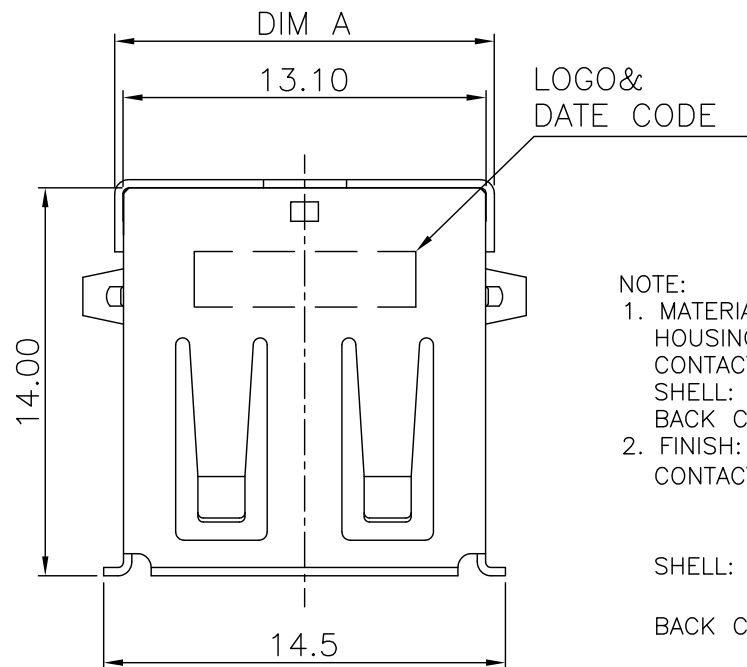
© COPYRIGHT 2009 BY TYCO ELECTRONICS CORPORATION. ALL RIGHTS RESERVED.

LOC DW

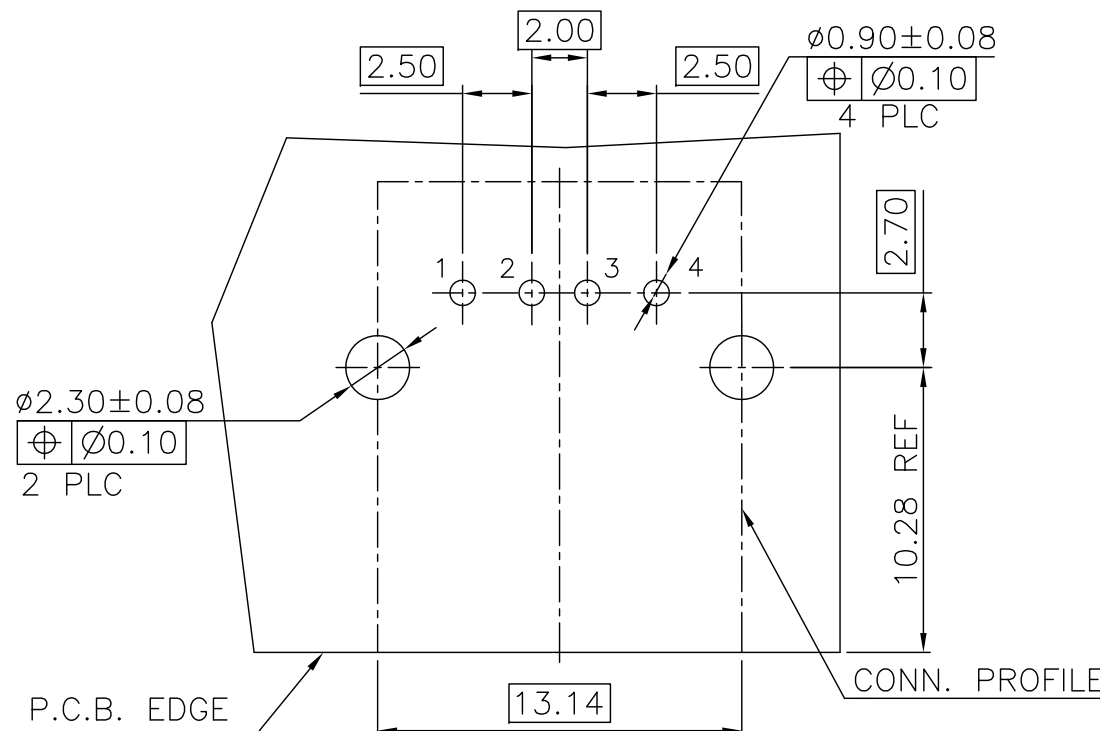
DIST

REVISIONS

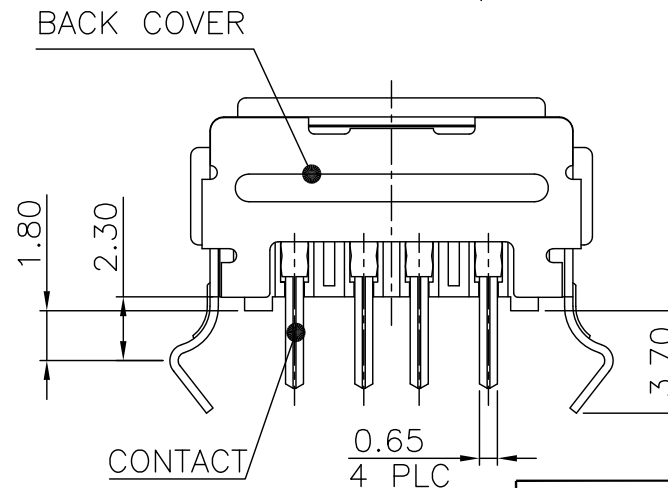
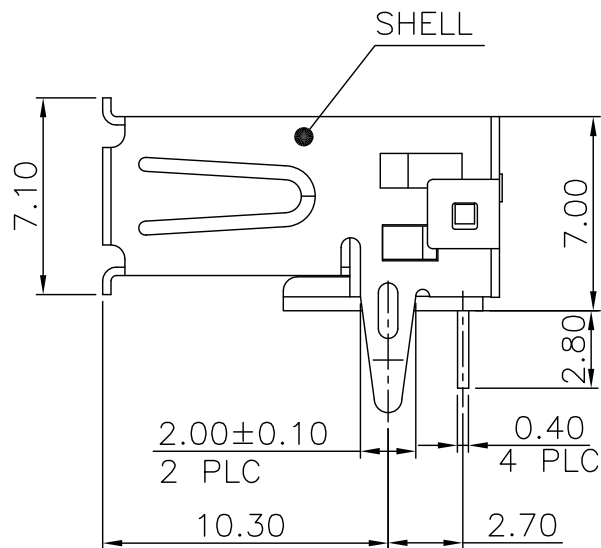
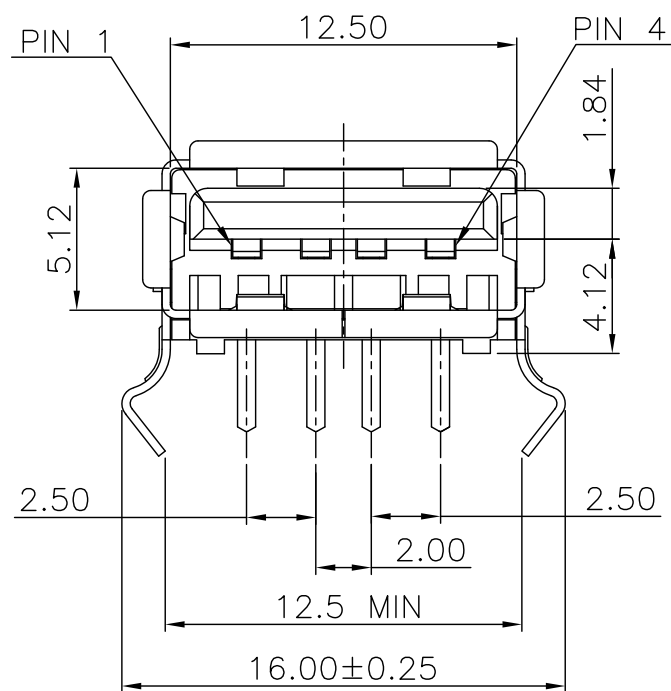
P	LTR	DESCRIPTION	DATE	DWN	APVD
E5		REVISED (ECR-13-016508)	23JAN14	BW	SC




- NOTE:
- MATERIAL:
HOUSING: PA9T WITH 30%GF, UL94V-0, BLACK COLOR.
CONTACT: PHOSPHOR BRONZE.
SHELL: BRASS.
BACK COVER: BRASS.
 - FINISH:
CONTACT: 0.762μm [30μ"] MIN. GOLD PLATING ON CONTACT AREA.
3.048μm [120μ"] MIN. BRIGHT TIN PLATING ON SOLDER TAILS.
1.27μm [50μ"] MIN. NICKEL UNDERPLATING OVERALL.
SHELL: 0.762μm [30μ"] MIN. NICKEL PLATED OVER
0.762μm [30μ"] MIN. Cu UNDERPLATING OVERALL.
BACK COVER: 0.762μm [30μ"] MIN. NICKEL PLATED OVER
0.762μm [30μ"] MIN. Cu UNDERPLATING OVERALL.
 - REFLOW SOLDER CAPABLE TO 260°C PER TE SPEC 109-201, CONDITION B.



RECOMMEND P.C.B LAYOUT (THICKNESS=1.6mm)
(COMPONENT SIDE) TOLERANCE ± 0.05



OBsolete	NA	W/O	TRAY	1734081-2
	13.7	W/	TRAY	1734081-1
DIM.A	BACK COVER	PACKAGE	PART NUMBER	

THIS DRAWING IS A CONTROLLED DOCUMENT.		DWN O. HU 21SEP2004	 TE Connectivity	
DIMENSIONS: MM		CHK S. HSU 21SEP2004		
TOLERANCES UNLESS OTHERWISE SPECIFIED:		APVD W.J. KE 21SEP2004	NAME	
0 PLC ± - 1 PLC ± 0.35 2 PLC ± 0.25 3 PLC ± 0.15 4 PLC ± - ANGLES ± 3°		PRODUCT SPEC 108-57505	USB CONNECTOR, RECEPTACLE 4 POSITION, SERIES A	
MATERIAL SEE NOTE		APPLICATION SPEC 501-57579	SIZE A3	CAGE CODE 00779
FINISH SEE NOTE		WEIGHT 2.01 GRAMS	DRAWING NO C=1734081	RESTRICTED TO
		CUSTOMER DRAWING	SCALE	SHEET 1 OF 19 REV E5

THIS DRAWING IS UNPUBLISHED.

RELEASED FOR PUBLICATION

AUG ,2006.

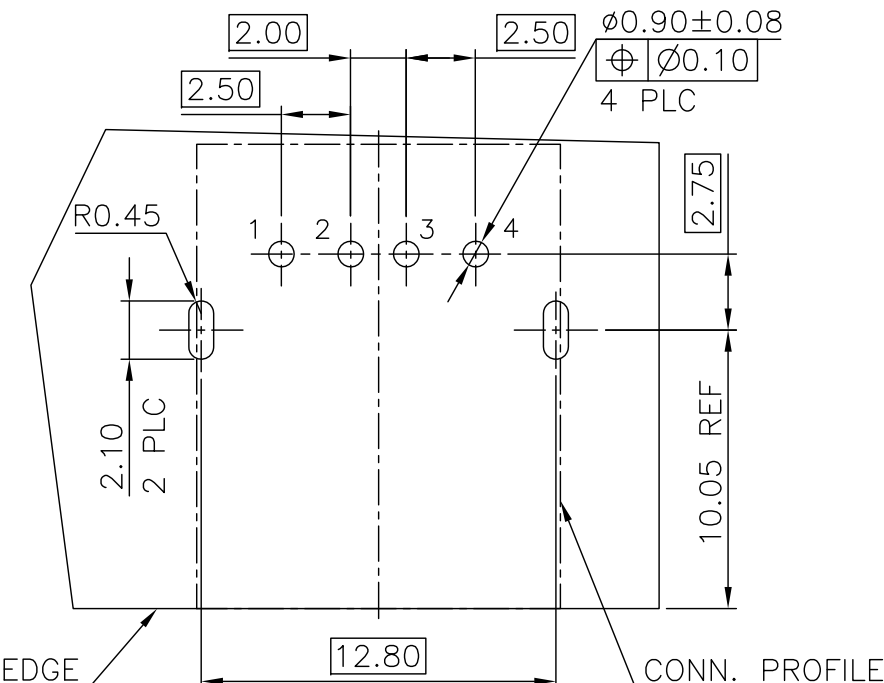
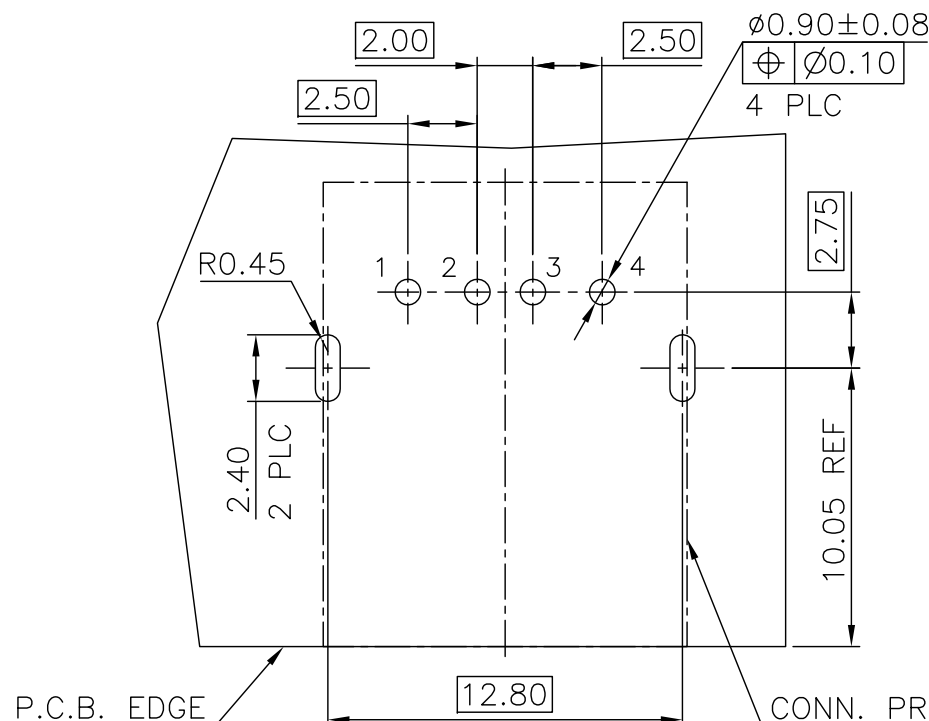
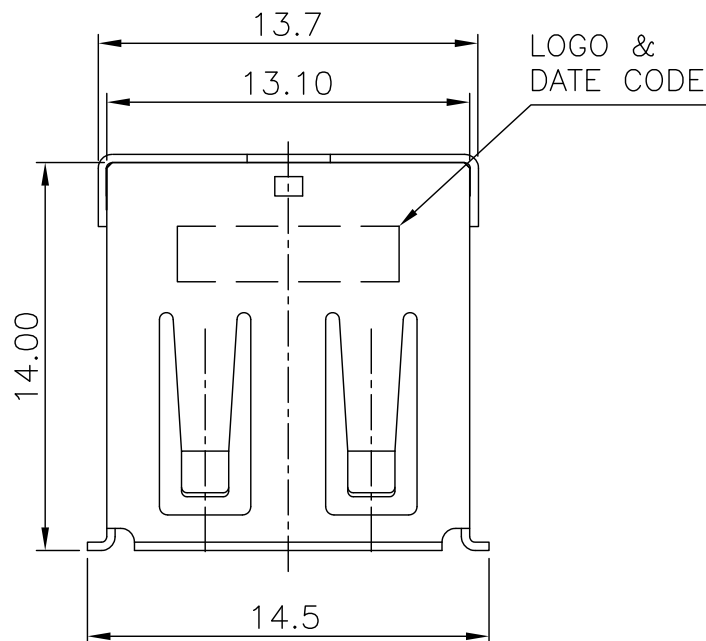
© COPYRIGHT 2009 BY TYCO ELECTRONICS CORPORATION. ALL RIGHTS RESERVED.

LOC DW

DIST

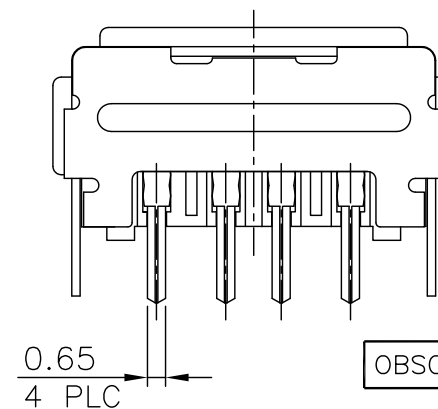
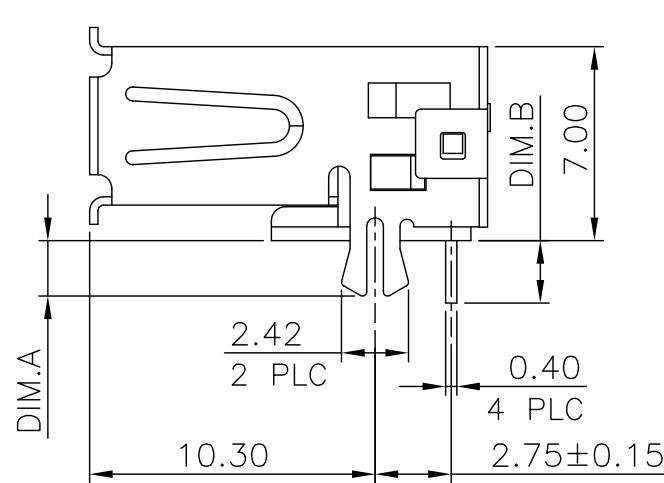
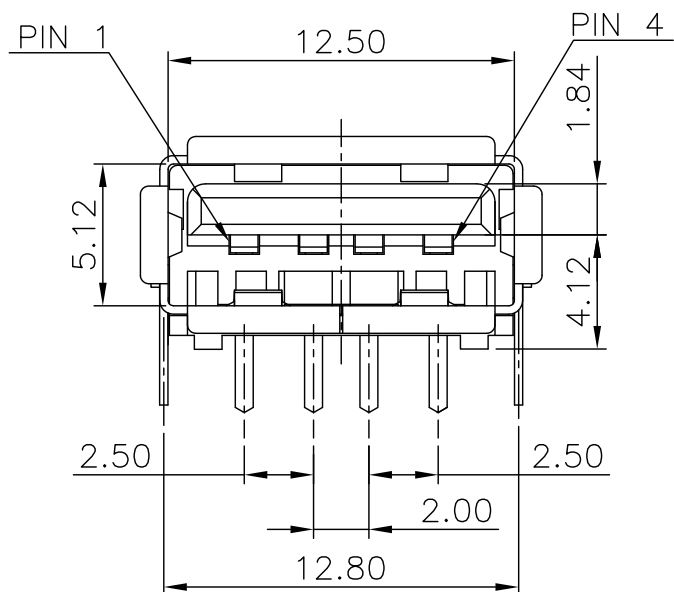
REVISIONS

P	LTR	DESCRIPTION	DATE	DWN	APVD
		SEE SHEET 1.			



RECOMMEND P.C.B LAYOUT (THICKNESS=1.6mm)
(COMPONENT SIDE) TOLERANCE±0.05 FOR DIM.A=2.4

RECOMMEND P.C.B LAYOUT (THICKNESS=1.4~1.6mm)
(COMPONENT SIDE) TOLERANCE±0.05 FOR DIM.A=2.0



OBSOLETE	△ PA-46	MOON GRAY	2.0	2.25	T&R	1-1734081-4
			2.4	2.25	T&R	1-1734081-3
OBSOLETE	△ PA-9T	BLACK	2.0	1.5	T&R	1-1734081-5
				2.25	T&R	1-1734081-2
					TRAY	1-1734081-1
	HSG. MATERIAL	HSG. COLOR	DIM A	DIM B	PACKAGE	PART NUMBER

NOTE:
1. MATERIAL:
HOUSING: THERMOPLASTIC (SEE TABLE) WITH 30%GF, UL94V-0, BLACK COLOR.
CONTACT: PHOSPHOR BRONZE.
SHELL: BRASS.
BACK COVER: BRASS.
2. FINISH:
CONTACT: 0.762µm [30µ"] MIN. GOLD PLATING ON CONTACT AREA,
3.048µm [120µ"] MIN. BRIGHT TIN PLATING ON SOLDER TAILS.
1.27µm [50µ"] MIN. NICKEL UNDERPLATING OVERALL.
SHELL: 0.762µm [30µ"] MIN. NICKEL PLATED OVER
0.762µm [30µ"] MIN. Cu UNDERPLATING OVERALL.
BACK COVER: 0.762µm [30µ"] MIN. NICKEL PLATED OVER
0.762µm [30µ"] MIN. Cu UNDERPLATING OVERALL.
△ REFLOW SOLDER CAPABLE TO 245°C PER TE SPEC 109-201, CONDITION A.
△ REFLOW SOLDER CAPABLE TO 260°C PER TE SPEC 109-201, CONDITION B.

THIS DRAWING IS A CONTROLLED DOCUMENT.		DWN		TE Connectivity	
DIMENSIONS: MM		CHK			
TOLERANCES UNLESS OTHERWISE SPECIFIED:		APVD		NAME	
0 PLC ± - 1 PLC ± 0.35 2 PLC ± 0.25 3 PLC ± 0.15 4 PLC ± - ANGLES ± 3'		PRODUCT SPEC		USB CONNECTOR, RECEPTACLE 4 POSITION, SERIES A	
MATERIAL SEE NOTE		FINISH SEE NOTE		RESTRICTED TO	
		WEIGHT 2.01 GRAMS		SIZE A3	
		CUSTOMER DRAWING		CAGE CODE 00779	
				DRAWING NO C=1734081	
		SCALE		SHEET 2 OF 19	
				REV E5	

4 3 2 1

THIS DRAWING IS UNPUBLISHED. RELEASED FOR PUBLICATION AUG ,2006.

© COPYRIGHT 2009 BY TYCO ELECTRONICS CORPORATION. ALL RIGHTS RESERVED.

LOC	DIST	REVISIONS					
DW		P	LTR	DESCRIPTION	DATE	DWN	APVD
				SEE SHEET 1.			

RECOMMENDED MOUNT DIMENSION

RECOMMEND P.C.B LAYOUT (THICKNESS=1.2mm)
(COMPONENT SIDE) TOLERANCE±0.05

DETAIL A

DETAIL A
SCALE 2:1

OBSOLETE		TAPE & REEL	2-1734081-3
OBSOLETE		TUBE	2-1734081-2
OBSOLETE		TUBE	2-1734081-1
		SHELL PLATING	PACKAGE
			PART NUMBER

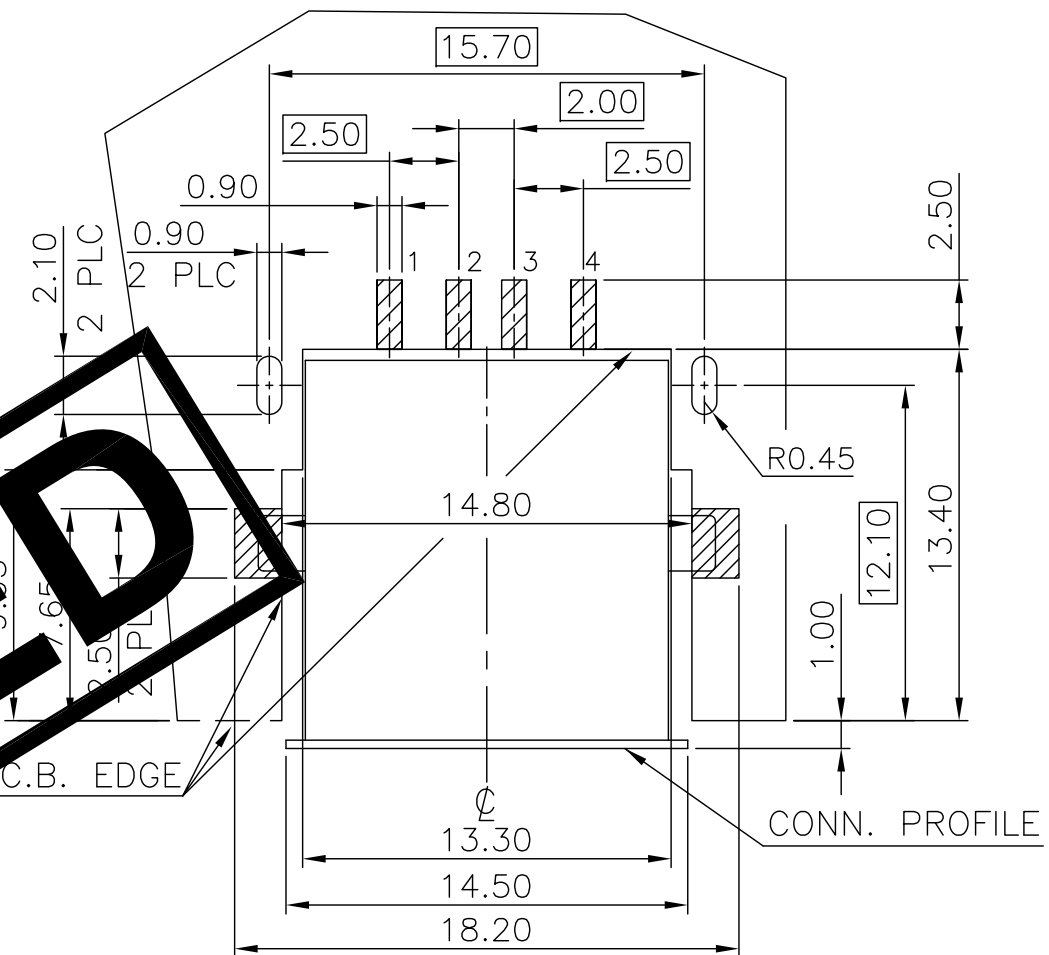
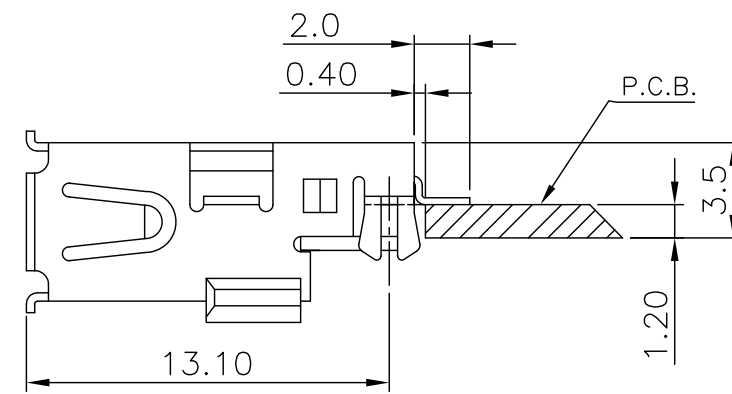
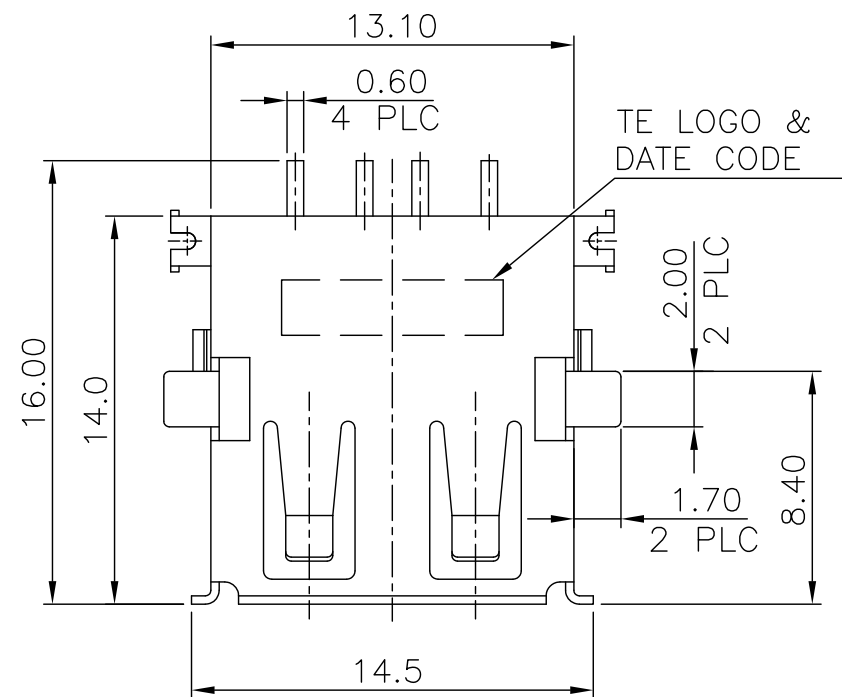
NOTE:
 1. MATERIAL:
 HOUSING: PA9T WITH 30%GF, UL94V-0, BLACK COLOR.
 CONTACT: PHOSPHOR BRONZE.
 SHELL: BRASS.
 2. FINISH:
 CONTACT: 0.762µm [30µ"] MIN. GOLD PLATING ON CONTACT AREA,
 3.048µm [120µ"] MIN. BRIGHT TIN PLATING ON SOLDERTAILS.
 1.27µm [50µ"] MIN. NICKEL UNDERPLATING OVERALL.
 SHELL: Δ 0.762µm [30µ"] MIN. TIN PLATED OVER
 0.762µm [30µ"] MIN. Cu UNDERPLATING OVERALL.
 Δ 0.762µm [30µ"] MIN. NICKEL PLATED OVER
 0.762µm [30µ"] MIN. Cu UNDERPLATING OVERALL.
 3. REFLOW SOLDER CAPABLE TO 260°C PER TE SPEC 109-201, CONDITION B.

THIS DRAWING IS A CONTROLLED DOCUMENT.		DWN	TE Connectivity	
DIMENSIONS: MM		CHK		
TOLERANCES UNLESS OTHERWISE SPECIFIED:		APVD	NAME	
0 PLC ± -		PRODUCT SPEC	USB CONNECTOR, RECEPTACLE 4 POSITION, SERIES A	
1 PLC ± 0.35		APPLICATION SPEC	SIZE	CAGE CODE
2 PLC ± 0.25		WEIGHT	A3	00779
3 PLC ± 0.15		CUSTOMER DRAWING	DRAWING NO	
4 PLC ± -			C=1734081	
ANGLES ± 3'			RESTRICTED TO	
MATERIAL	FINISH		SCALE	SHEET
SEE NOTE	SEE NOTE			3 of 19
				REV E5

AMP 1470-19 REV 31MAR2000

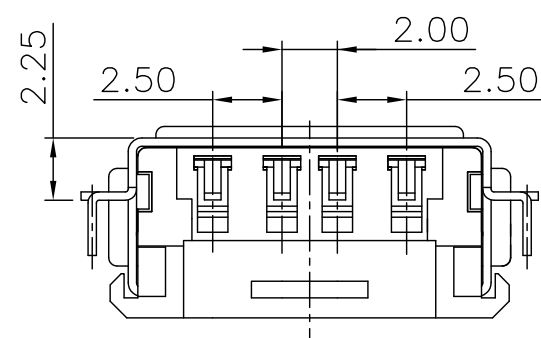
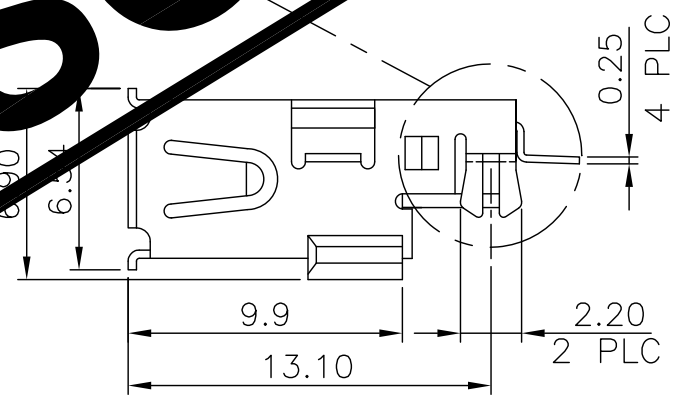
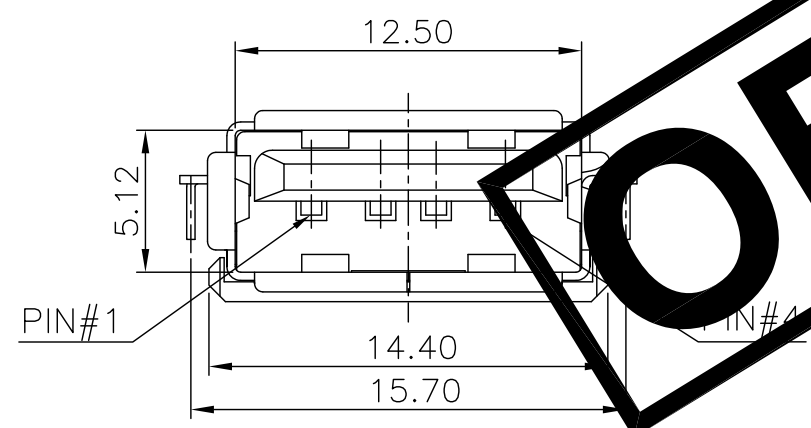
THIS DRAWING IS UNPUBLISHED. RELEASED FOR PUBLICATION AUG ,2006.
 © COPYRIGHT 2009 BY TYCO ELECTRONICS CORPORATION. ALL RIGHTS RESERVED.

LOC	DIST	REVISIONS					
DW		P	LTR	DESCRIPTION	DATE	DWN	APVD
				SEE SHEET 1.			



RECOMMENDED MOUNT DIMENSION

RECOMMEND P.C.B LAYOUT (THICKNESS=1.2mm)
(COMPONENT SIDE) TOLERANCE±0.05



OBSELETED

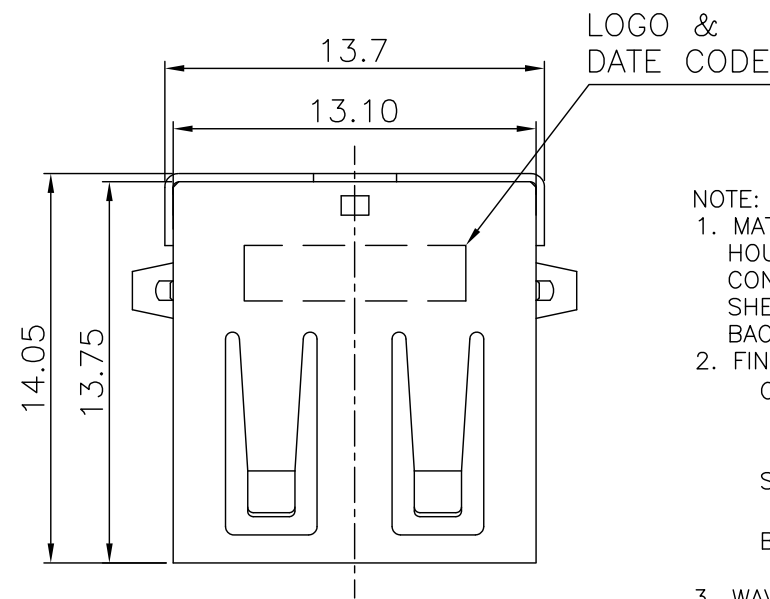
TAPE & REEL	3-1734081-1
PACKAGE	PART NUMBER

NOTE:
 1. MATERIAL:
 HOUSING: PA9T WITH 30%GF, UL94V-0, BLACK COLOR.
 CONTACT: PHOSPHOR BRONZE.
 SHELL: BRASS.
 2. FINISH:
 CONTACT: 0.762µm [30µ"] MIN. GOLD PLATING ON CONTACT AREA,
 3.048µm [120µ"] MIN. BRIGHT TIN PLATING ON SOLDERTAILS.
 1.27µm [50µ"] MIN. NICKEL UNDERPLATING OVERALL.
 SHELL: 0.762µm [30µ"] MIN. NICKEL PLATED OVER
 0.762µm [30µ"] MIN. Cu UNDERPLATING OVERALL.
 3. REFLOW SOLDER CAPABLE TO 260°C PER TE SPEC 109-201, CONDITION B.

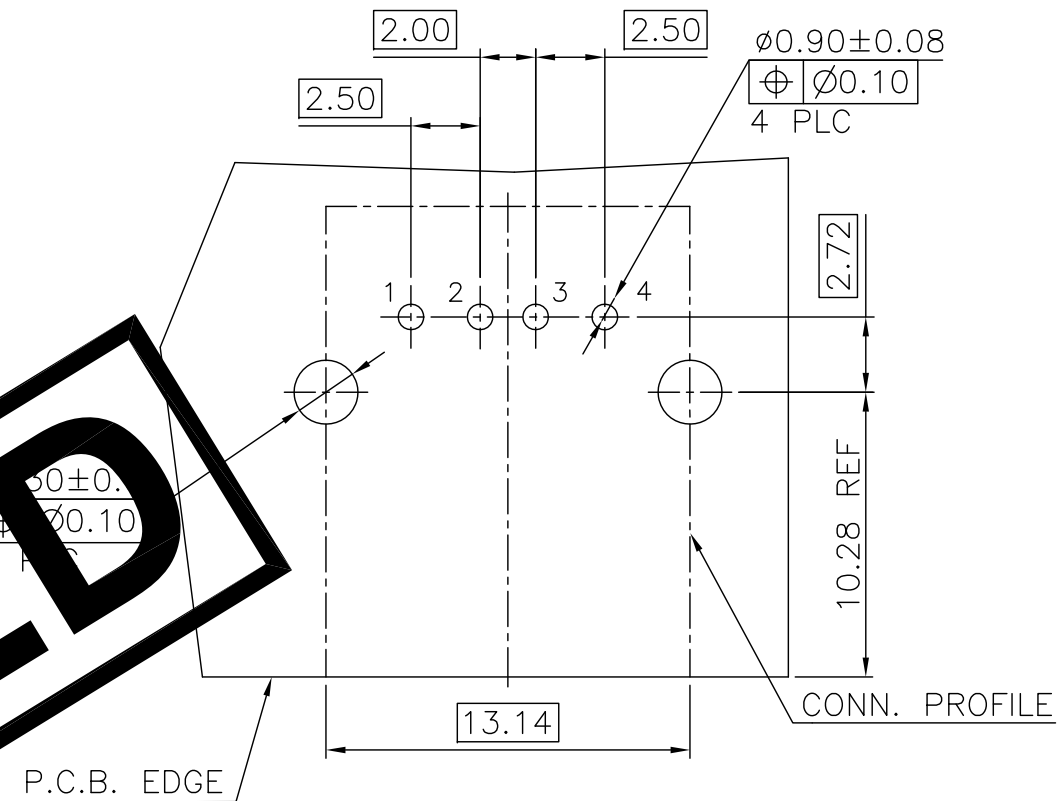
THIS DRAWING IS A CONTROLLED DOCUMENT.		DWN	TE Connectivity			
DIMENSIONS: MM		CHK				
TOLERANCES UNLESS OTHERWISE SPECIFIED:		APVD	NAME			
0 PLC ± - 1 PLC ± 0.35 2 PLC ± 0.25 3 PLC ± 0.15 4 PLC ± - ANGLES ± 3°		PRODUCT SPEC	USB CONNECTOR, RECEPTACLE 4 POSITION, SERIES A			
MATERIAL		APPLICATION SPEC	SIZE	CAGE CODE	DRAWING NO	RESTRICTED TO
SEE NOTE	SEE NOTE	WEIGHT	A3	00779	C=1734081	-
		CUSTOMER DRAWING	SCALE	SHEET	4 of 19	REV E5

THIS DRAWING IS UNPUBLISHED. RELEASED FOR PUBLICATION AUG ,2006.
 © COPYRIGHT 2009 BY TYCO ELECTRONICS CORPORATION. ALL RIGHTS RESERVED.

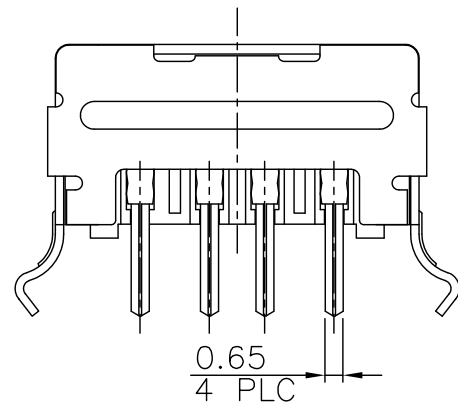
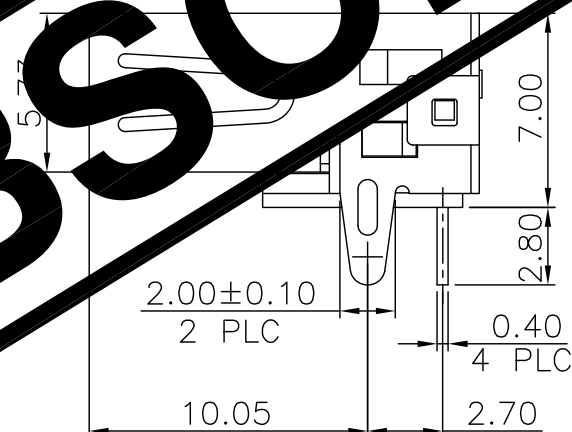
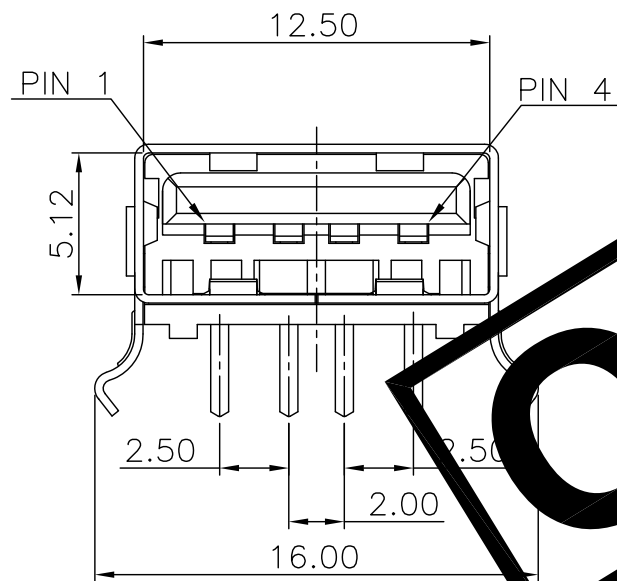
LOC	DIST	REVISIONS			
P	LTR	DESCRIPTION	DATE	DWN	APVD
DW	/	SEE SHEET 1.			



- NOTE:
- MATERIAL:
 HOUSING: PBT WITH 30%GF, UL94V-0, COLOR: SEE TABLE.
 CONTACT: PHOSPHOR BRONZE.
 SHELL: BRASS.
 BACK COVER: BRASS.
 - FINISH:
 CONTACT: 0.762µm [30µ"] MIN. GOLD PLATING ON CONTACT AREA.
 3.048µm [120µ"] MIN. BRIGHT TIN PLATING ON SOLDER TAILS.
 1.27µm [50µ"] MIN. NICKEL UNDERPLATING OVER PLATING.
 SHELL: 0.762µm [30µ"] MIN. NICKEL PLATED OVER
 0.762µm [30µ"] MIN. Cu UNDERPLATING OVER PLATING.
 BACK COVER: 0.762µm [30µ"] MIN. NICKEL PLATED OVER
 0.762µm [30µ"] MIN. Cu UNDERPLATING OVER PLATING.
 - WAVE SOLDER CAPABLE TO 245°C PER TE SPEC 10-1002, CONDITION A.



RECOMMEND P.C.B LAYOUT (THICKNESS=1.6mm)
 (COMPONENT SIDE) TOLERANCE±0.05



OBSOLETE

OBSOLETE	TRAY	MOON GRAY	4-1734081-2
		NONMETALLIC PEARL	4-1734081-1
	PACKAGE	HSG. COLOR	PART NUMBER

THIS DRAWING IS A CONTROLLED DOCUMENT.		DWN	TE Connectivity			
DIMENSIONS: MM		CHK				
TOLERANCES UNLESS OTHERWISE SPECIFIED:		APVD	NAME			
0 PLC ± - 1 PLC ± 0.35 2 PLC ± 0.25 3 PLC ± 0.15 4 PLC ± - ANGLES ± 3°		PRODUCT SPEC	USB CONNECTOR, RECEPTACLE 4 POSITION, SERIES A			
MATERIAL SEE NOTE		APPLICATION SPEC	SIZE	CAGE CODE	DRAWING NO	RESTRICTED TO
FINISH SEE NOTE		WEIGHT	A3	00779	C=1734081	
		CUSTOMER DRAWING	SCALE	SHEET	5 of 19	REV E5

4

3

2

1

THIS DRAWING IS UNPUBLISHED.

RELEASED FOR PUBLICATION

AUG ,2006.

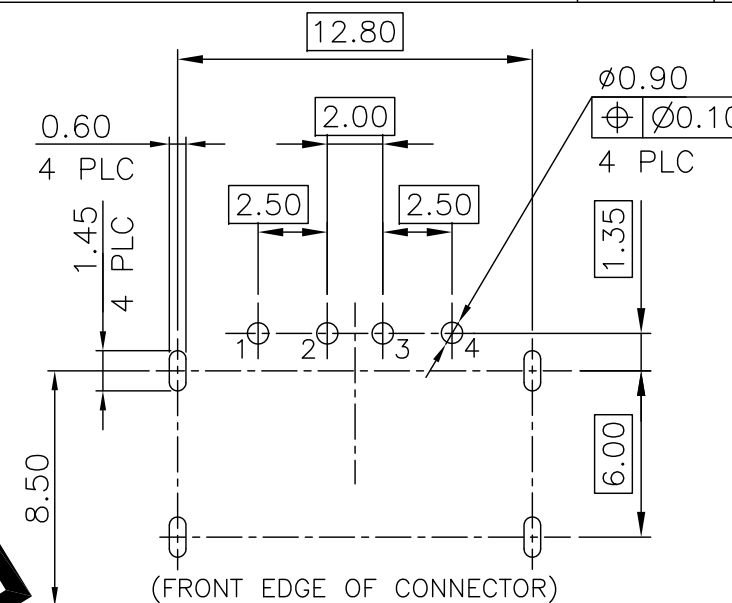
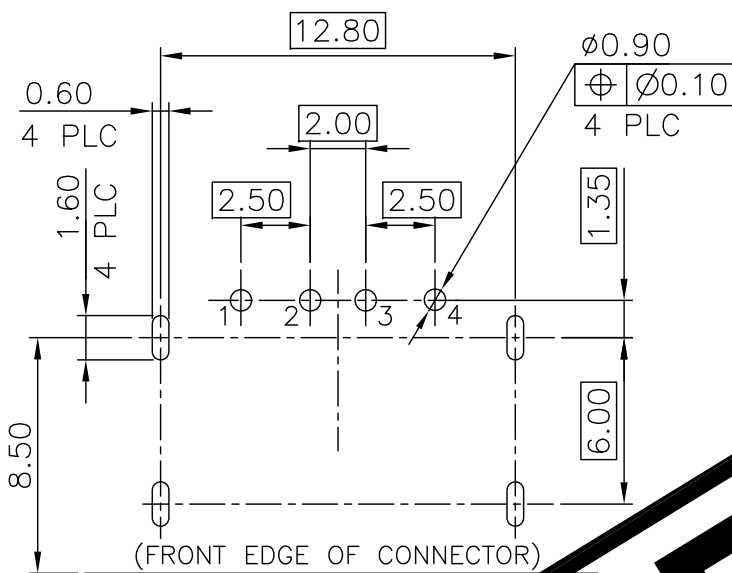
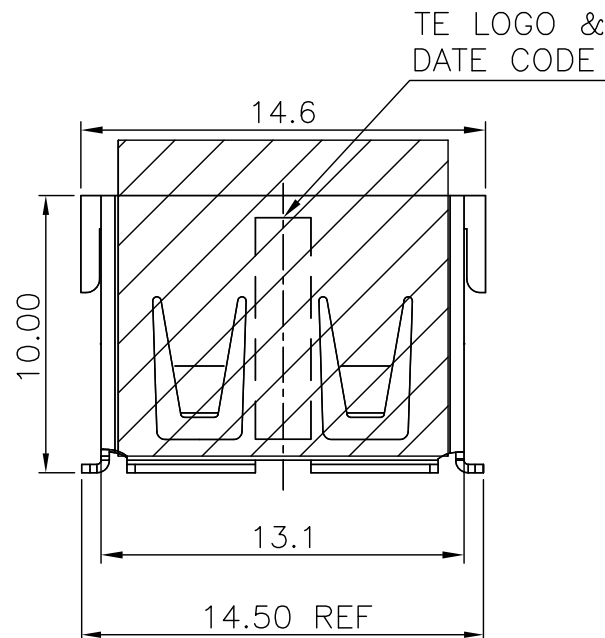
© COPYRIGHT 2009 BY TYCO ELECTRONICS CORPORATION. ALL RIGHTS RESERVED.

LOC DW

DIST

REVISIONS

P	LTR	DESCRIPTION	DATE	DWN	APVD
		SEE SHEET 1.			



RECOMMEND P.C.B LAYOUT (THICKNESS=1.4mm) (COMPONENT SIDE) TOLERANCE ±0.05

RECOMMEND P.C.B LAYOUT (THICKNESS=1.4mm) (COMPONENT SIDE) TOLERANCE ±0.05

NOTE:

1. MATERIAL:

HOUSING: PA9T WITH 30%GF, UL94V-0, BLACK COLOR.

CONTACT: PHOSPHOR BRONZE.

SHELL: BRASS.

MYLAR: KAPTON, 0.06 THICKNESS

△ FINISH:

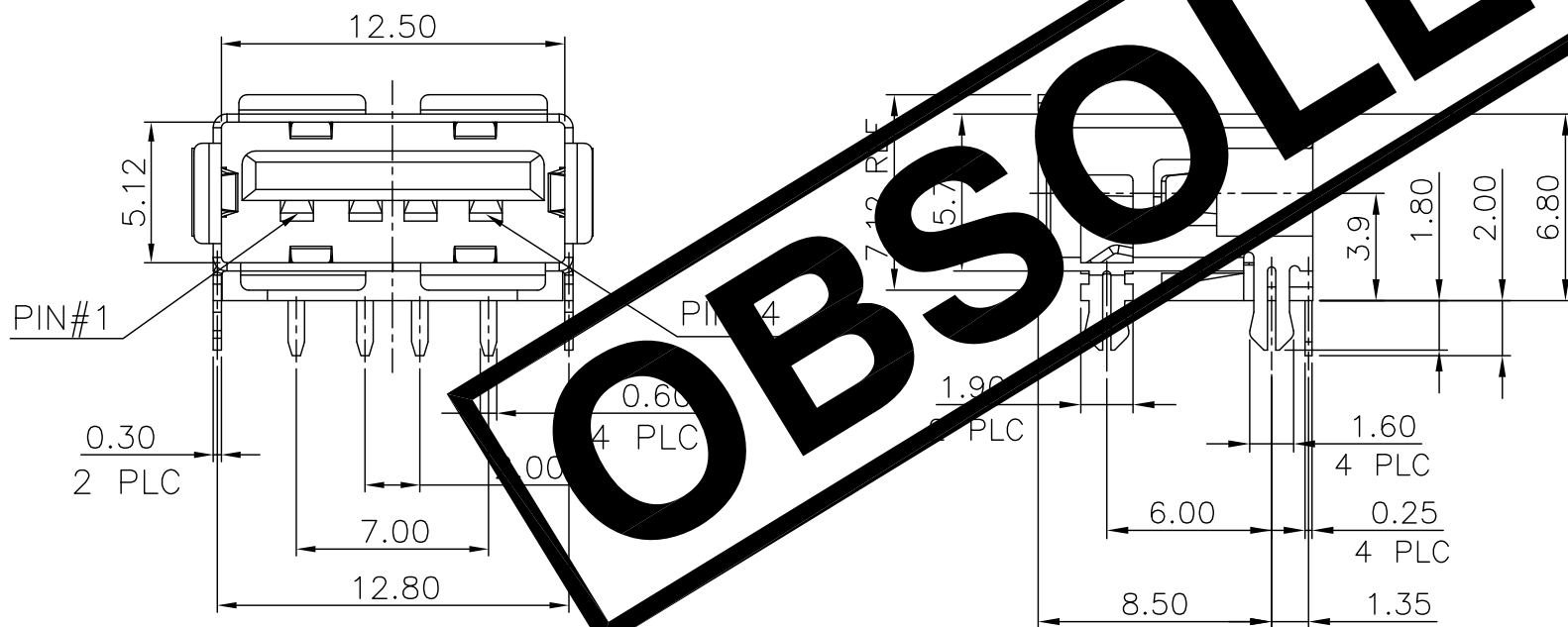
CONTACT: 0.762µm [30µ"] MIN. GOLD PLATING ON CONTACT AREA,
2.54µm [100µ"] MIN. MATTE-TIN PLATING ON SOLDER TAIL,
WITH ENTIRE CONTACT UNDERPLATED 1.27µm [50µ"] MIN. NICKEL
SHELL: 1.27µm [50µ"] MIN. NICKEL PLATING.

△ FINISH:

CONTACT: 0.254µm [10µ"] MIN. GOLD PLATING ON CONTACT AREA.
2.54µm [100µ"] MIN. MATTE-TIN PLATING ON SOLDER TAIL,
WITH ENTIRE CONTACT UNDERPLATED 1.27µm [50µ"] MIN. NICKEL
SHELL: 1.27µm [50µ"] MIN. NICKEL PLATING.
SPUTTERING/BLACK PLATING IN FRONT FLANGE.

4. REFLOW SOLDER CAPABLE TO 260°C PER TE TEST SPEC 109-201, CONDITION B.

△ CONNECTOR MOUNTING WITH ZERO INSERTION FORCE.



OBSOLETE

OBSOLETE	△	TAPE&REEL W/O MYLAR	5-1734081-3
	△	TAPE&REEL W/ MYLAR	5-1734081-2
	△	TAPE&REEL W/ MYLAR	5-1734081-1
	FINISH	PACKAGE	PART NUMBER

THIS DRAWING IS A CONTROLLED DOCUMENT.		DWN	TE Connectivity			
DIMENSIONS: MM		CHK				
TOLERANCES UNLESS OTHERWISE SPECIFIED:		APVD	NAME			
0 PLC ± - 1 PLC ± 0.35 2 PLC ± 0.25 3 PLC ± 0.15 4 PLC ± - ANGLES ± 3'		PRODUCT SPEC	USB CONNECTOR, RECEPTACLE 4 POSITION, SERIES A			
MATERIAL SEE NOTE		APPLICATION SPEC	SIZE	CAGE CODE	DRAWING NO	RESTRICTED TO
FINISH SEE NOTE		WEIGHT 1.54 GRAMS	A3	00779	C=1734081	
		CUSTOMER DRAWING	SCALE	SHEET 6 of 19	REV E5	

THIS DRAWING IS UNPUBLISHED.

RELEASED FOR PUBLICATION

AUG ,2006.

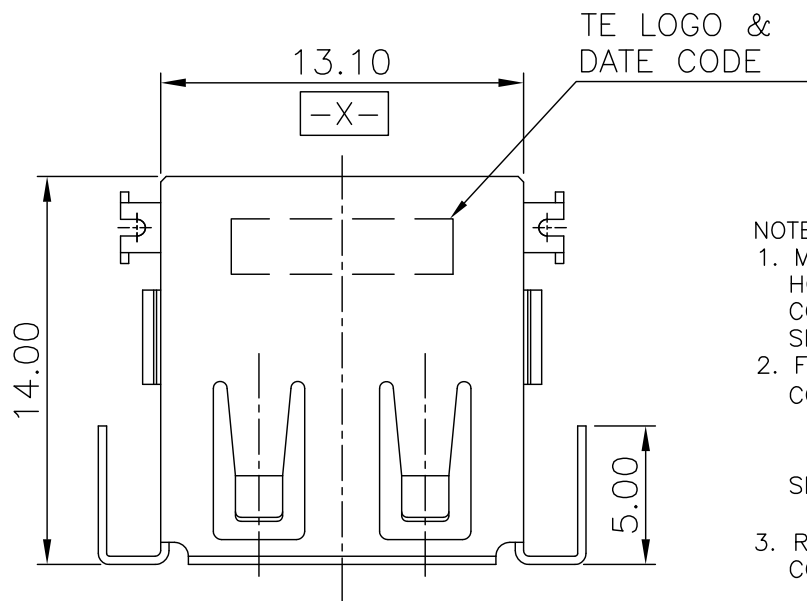
© COPYRIGHT 2009 BY TYCO ELECTRONICS CORPORATION. ALL RIGHTS RESERVED.

LOC DW

DIST

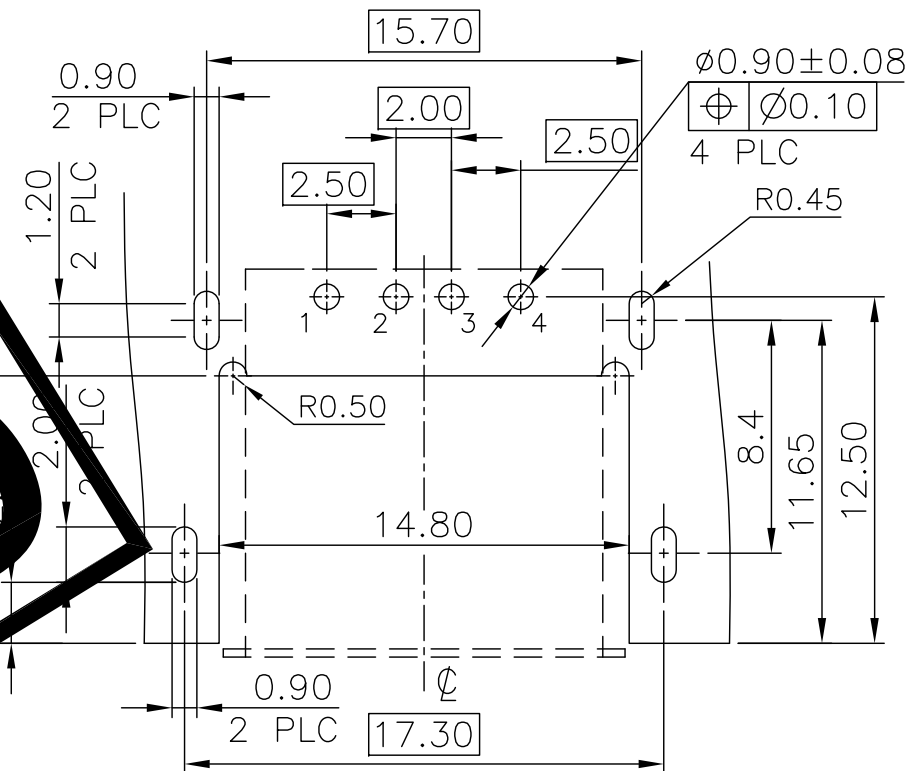
REVISIONS

P	LTR	DESCRIPTION	DATE	DWN	APVD
		SEE SHEET 1.			

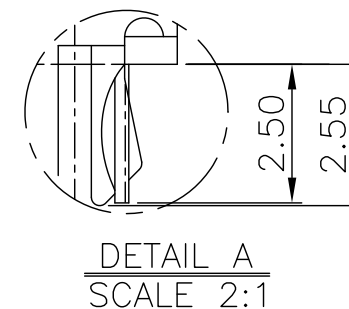
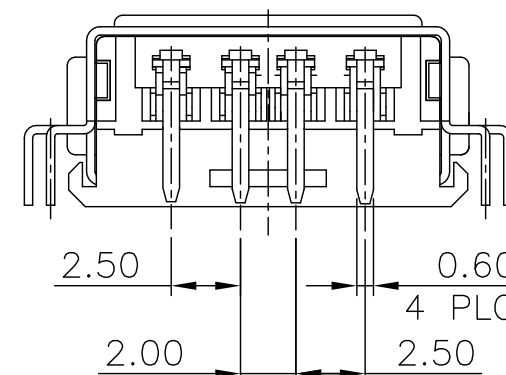
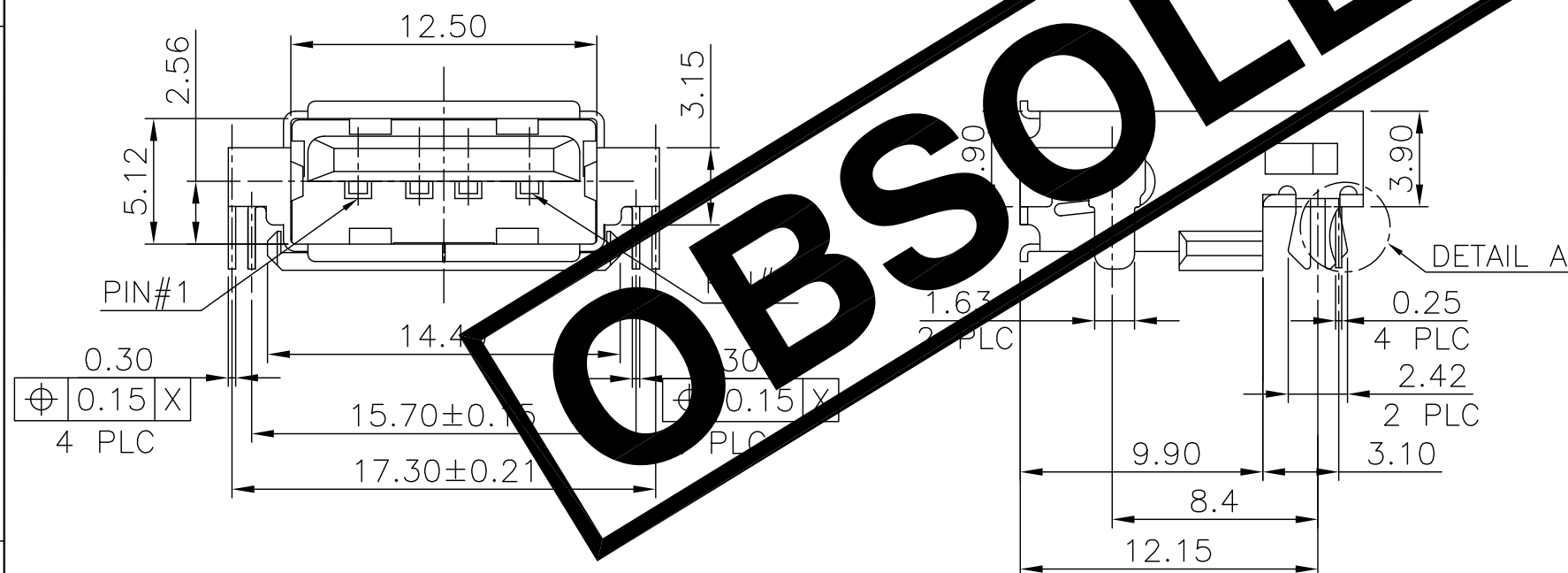


NOTE:

- MATERIAL:
HOUSING: PA9T WITH 30%GF, UL94V-0, BLACK COLOR.
CONTACT: PHOSPHOR BRONZE.
SHELL: BRASS.
- FINISH:
CONTACT: 0.762µm [30µ"] MIN. GOLD PLATING ON CONTACT AREA,
3.048µm [120µ"] MIN. BRIGHT TIN PLATING ON SOLDER TAILS
1.27µm [50µ"] MIN. NICKEL UNDERPLATING OVERALL.
SHELL: 0.762µm [30µ"] MIN. NICKEL PLATED OVER
0.762µm [30µ"] MIN. Cu UNDERPLATING OVERALL.
- REFLOW SOLDER CAPABLE TO 260°C PER TE SPEC 109-2
CONDITION B.



RECOMMEND P.C.B LAYOUT (THICKNESS=1.6mm)
(COMPONENT SIDE) TOLERANCE±0.05



OBSOLETE	TAPE & REEL	6-1734081-2
	TUBE	6-1734081-1
	PACKAGE	PART NUMBER

THIS DRAWING IS A CONTROLLED DOCUMENT.		DWN	TE TE Connectivity	
DIMENSIONS: MM		CHK		
TOLERANCES UNLESS OTHERWISE SPECIFIED:		APVD	NAME	
0 PLC ± -		PRODUCT SPEC	USB CONNECTOR, RECEPTACLE 4 POSITION, SERIES A	
1 PLC ± 0.35		APPLICATION SPEC	SIZE	CAGE CODE
2 PLC ± 0.25		WEIGHT	A3	00779
3 PLC ± 0.15		CUSTOMER DRAWING	DRAWING NO	
4 PLC ± -		SCALE	C=1734081	
ANGLES ± 3'		SHEET	RESTRICTED TO	
MATERIAL	FINISH	7 of 19	REV E5	
SEE NOTE	SEE NOTE			

THIS DRAWING IS UNPUBLISHED.

RELEASED FOR PUBLICATION

AUG ,2006.

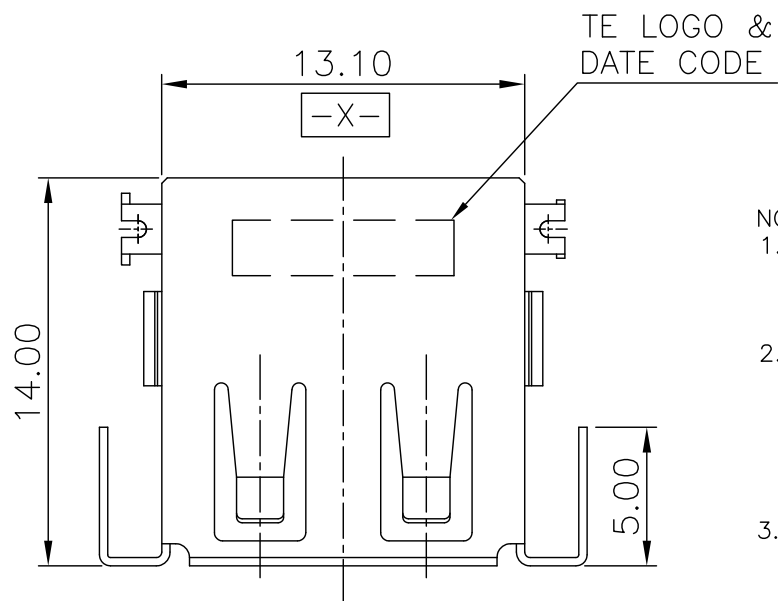
© COPYRIGHT 2009 BY TYCO ELECTRONICS CORPORATION. ALL RIGHTS RESERVED.

LOC DW

DIST

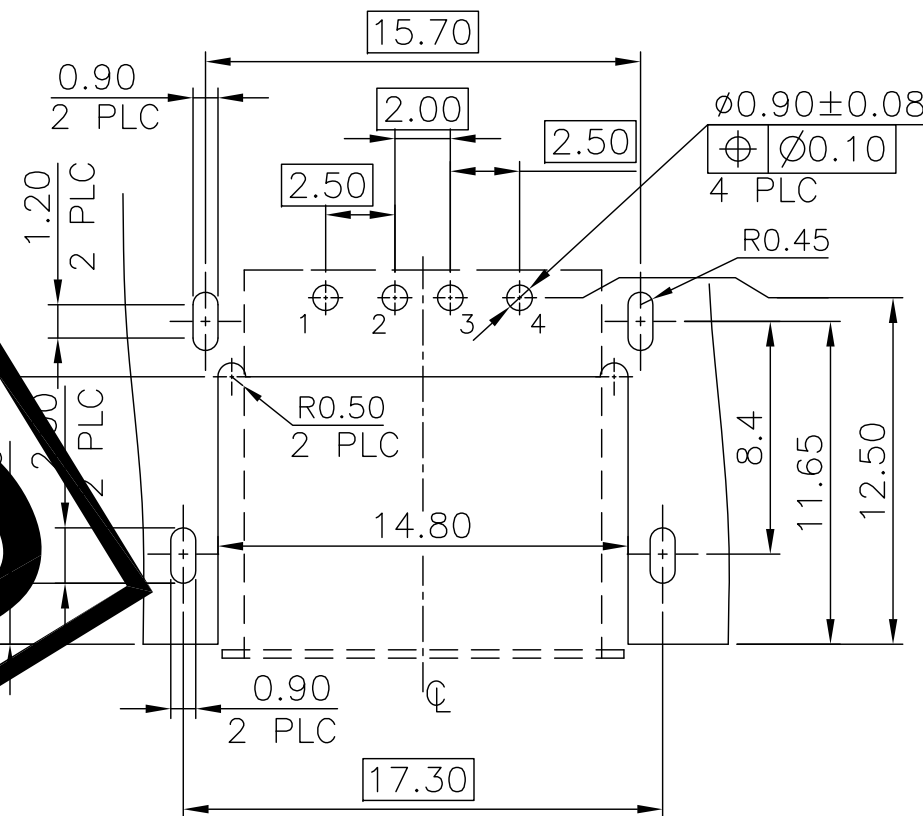
REVISIONS

P	LTR	DESCRIPTION	DATE	DWN	APVD
		SEE SHEET 1.			

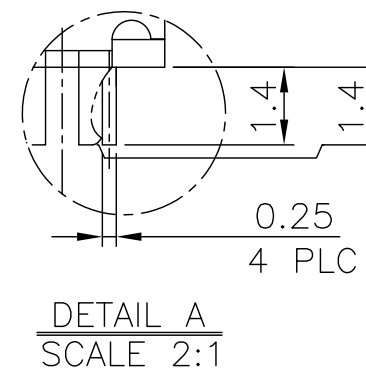
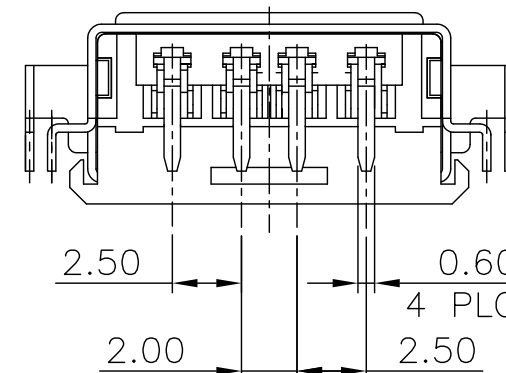
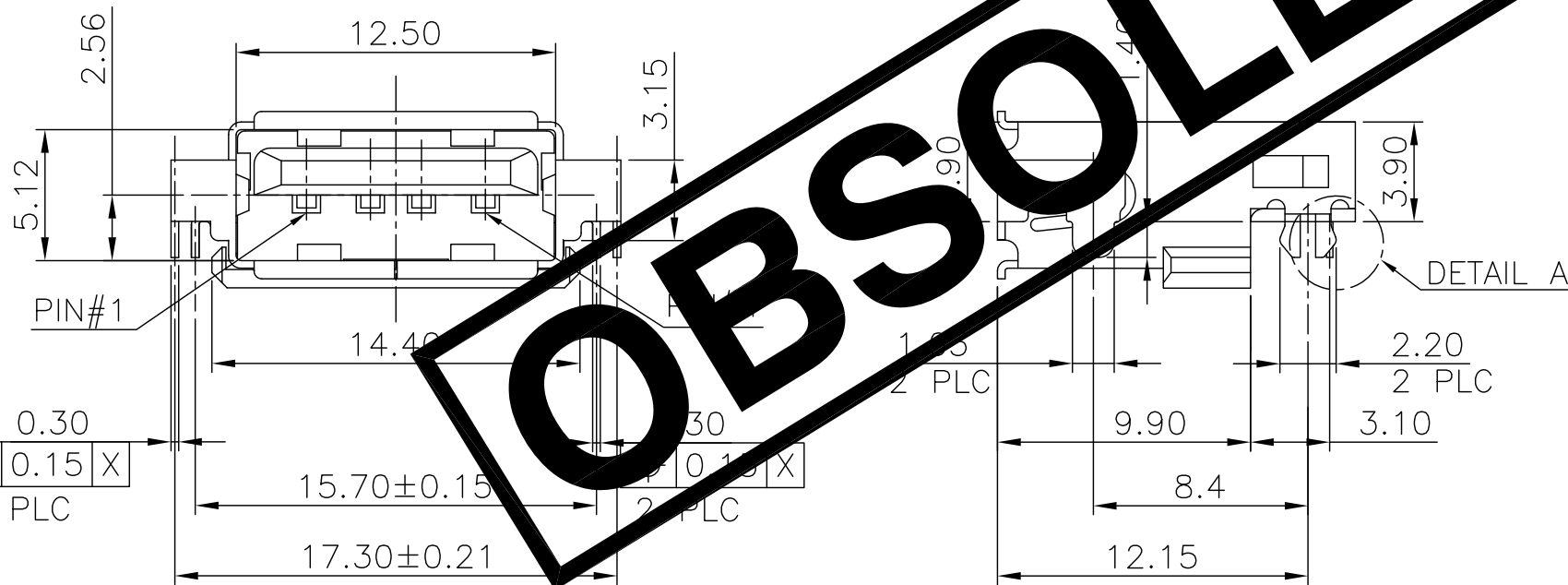


NOTE:

- MATERIAL:
HOUSING: PA9T WITH 30%GF, UL94V-0, BLACK COLOR.
CONTACT: PHOSPHOR BRONZE.
SHELL: BRASS.
- FINISH:
CONTACT: 0.762μm [30μ"] MIN. GOLD PLATING ON CONTACT AREA,
3.048μm [120μ"] MIN. BRIGHT TIN PLATING ON SOLDER PINS.
1.27μm [50μ"] MIN. NICKEL UNDERPLATING OVERALL.
SHELL: 0.762μm [30μ"] MIN. NICKEL PLATED OVER
0.762μm [30μ"] MIN. Cu UNDERPLATING OVER ALL.
- REFLOW SOLDER CAPABLE TO 260°C PER TE SPEC 109-2
CONDITION B.



RECOMMEND P.C.B LAYOUT (THICKNESS=0.8mm)
(COMPONENT SIDE) TOLERANCE±0.05



TAPE & REEL	6-1734081-3
PACKAGE	PART NUMBER

THIS DRAWING IS A CONTROLLED DOCUMENT.		DWN	TE Connectivity			
DIMENSIONS: MM		CHK				
TOLERANCES UNLESS OTHERWISE SPECIFIED:		APVD	NAME			
0 PLC ± - 1 PLC ± 0.35 2 PLC ± 0.25 3 PLC ± 0.15 4 PLC ± - ANGLES ± 3°		PRODUCT SPEC	USB CONNECTOR, RECEPTACLE 4 POSITION, SERIES A			
MATERIAL SEE NOTE		APPLICATION SPEC	SIZE	CAGE CODE	DRAWING NO	RESTRICTED TO
FINISH SEE NOTE		WEIGHT	A3	00779	C=1734081	
		CUSTOMER DRAWING	SCALE	SHEET	8 OF 19	REV E5

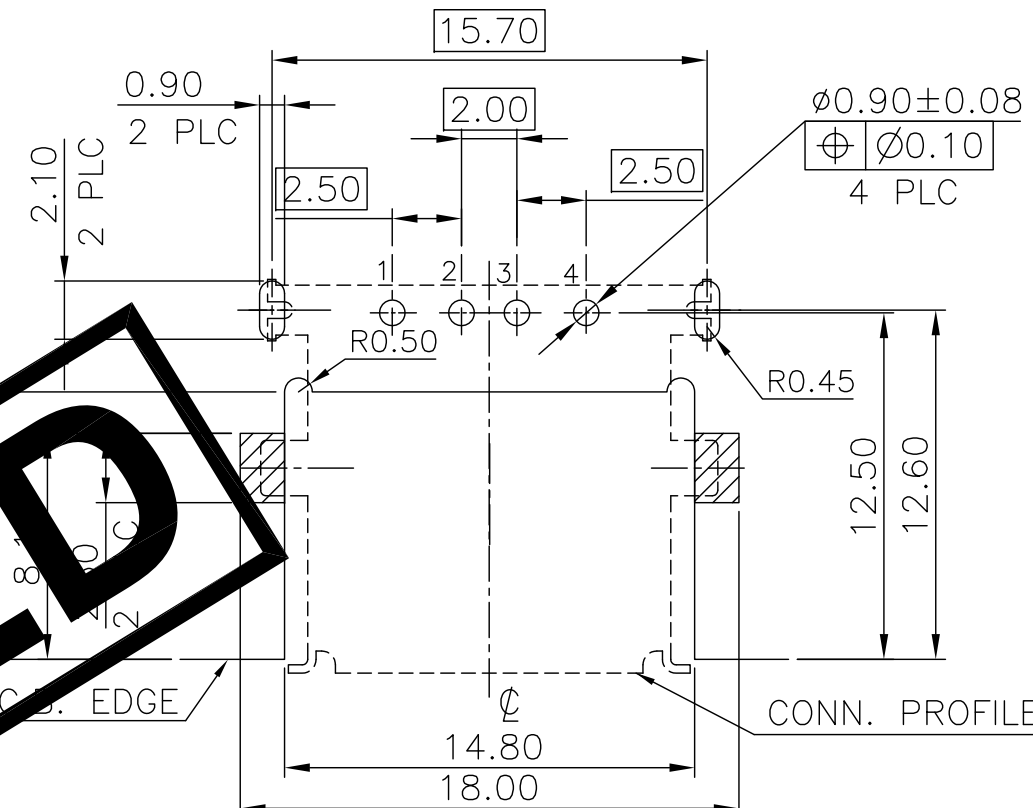
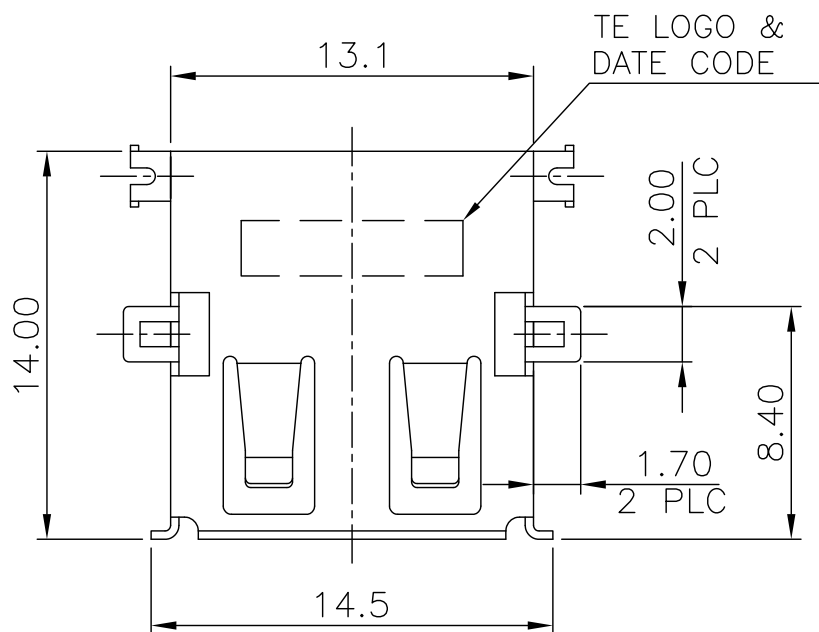
THIS DRAWING IS UNPUBLISHED.

RELEASED FOR PUBLICATION

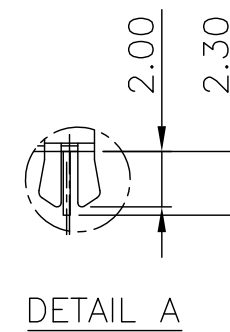
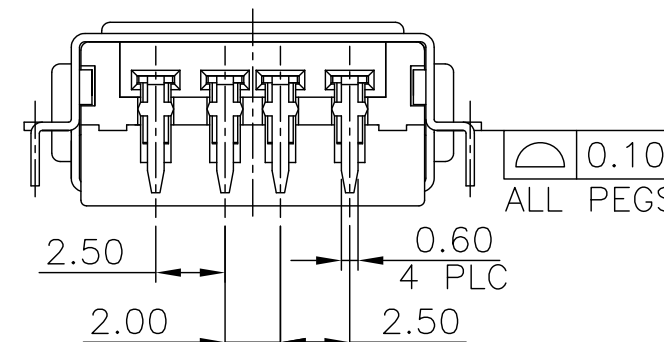
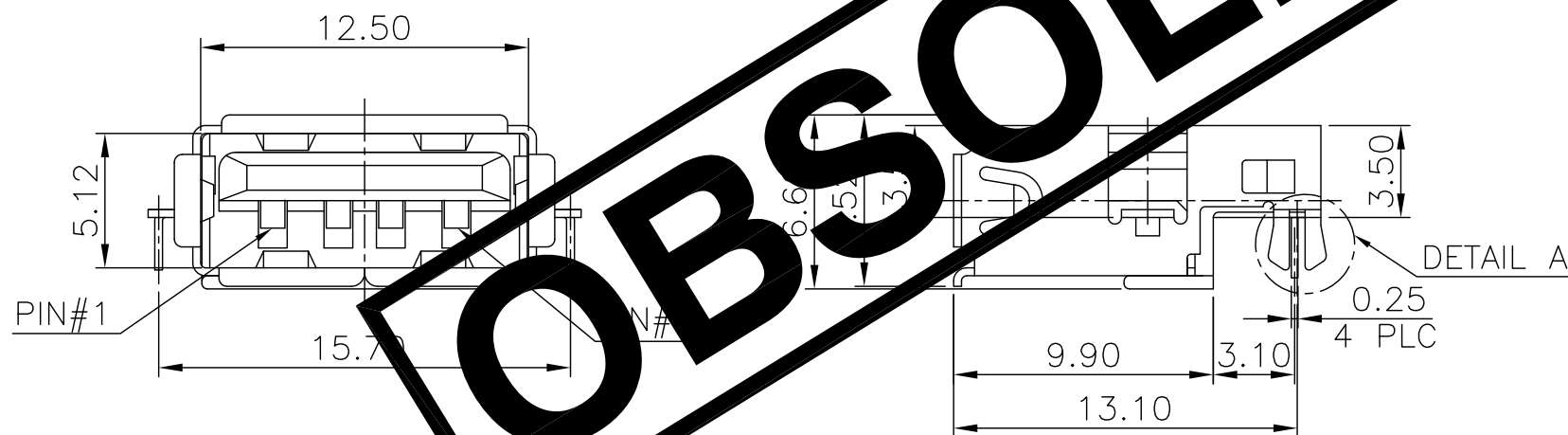
AUG ,2006.

© COPYRIGHT 2009 BY TYCO ELECTRONICS CORPORATION. ALL RIGHTS RESERVED.

LOC	DIST	REVISIONS					
DW		P	LTR	DESCRIPTION	DATE	DWN	APVD
				SEE SHEET 1.			



RECOMMEND P.C.B LAYOUT (THICKNESS=1.2mm)
(COMPONENT SIDE) TOLERANCE ± 0.05



NOTE:

- MATERIAL:
HOUSING: PA9T WITH 30%GF, UL 94 V-0, BLACK COLOR.
CONTACT: PHOSPHOR BRONZE.
SHELL: BRASS.
- FINISH:
CONTACT: $0.762\mu\text{m}$ [30μ] MIN. GOLD PLATING ON CONTACT AREA,
 $3.048\mu\text{m}$ [120μ] MIN. BRIGHT TIN PLATING ON SOLDER TAILS.
 $1.27\mu\text{m}$ [50μ] MIN. NICKEL UNDERPLATING OVERALL.
SHELL: $0.762\mu\text{m}$ [30μ] MIN. NICKEL PLATED OVER
 $0.762\mu\text{m}$ [30μ] MIN. Cu UNDERPLATING OVERALL.
- REFLOW SOLDER CAPABLE TO 260°C PER TE SPEC 109-201, CONDITION B.

TAPE & REEL	7-1734081-1
PACKAGE	PART NUMBER

THIS DRAWING IS A CONTROLLED DOCUMENT.		DWN	TE Connectivity													
DIMENSIONS: MM		CHK														
TOLERANCES UNLESS OTHERWISE SPECIFIED:		APVD	NAME													
<table border="1"> <tr><td>0 PLC</td><td>$\pm -$</td></tr> <tr><td>1 PLC</td><td>± 0.35</td></tr> <tr><td>2 PLC</td><td>± 0.25</td></tr> <tr><td>3 PLC</td><td>± 0.15</td></tr> <tr><td>4 PLC</td><td>$\pm -$</td></tr> <tr><td>ANGLES</td><td>$\pm 3'$</td></tr> </table>		0 PLC	$\pm -$	1 PLC	± 0.35	2 PLC	± 0.25	3 PLC	± 0.15	4 PLC	$\pm -$	ANGLES	$\pm 3'$	PRODUCT SPEC	USB CONNECTOR, RECEPTACLE 4 POSITION, SERIES A	
0 PLC	$\pm -$															
1 PLC	± 0.35															
2 PLC	± 0.25															
3 PLC	± 0.15															
4 PLC	$\pm -$															
ANGLES	$\pm 3'$															
MATERIAL SEE NOTE		APPLICATION SPEC	SIZE	CAGE CODE												
FINISH SEE NOTE		WEIGHT 1.57 GRAMS	DRAWING NO	RESTRICTED TO												
		CUSTOMER DRAWING	A300779	C=1734081												
		SCALE	SHEET 9 of 19	REV E5												

THIS DRAWING IS UNPUBLISHED.

RELEASED FOR PUBLICATION

AUG ,2006.

© COPYRIGHT 2009 BY TYCO ELECTRONICS CORPORATION. ALL RIGHTS RESERVED.

LOC DW

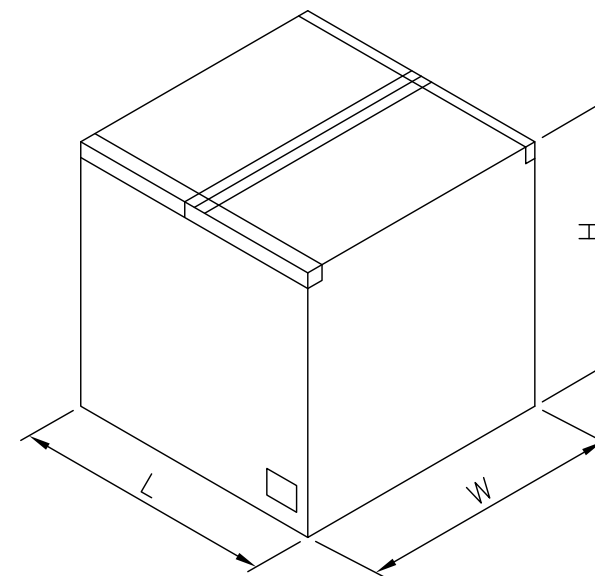
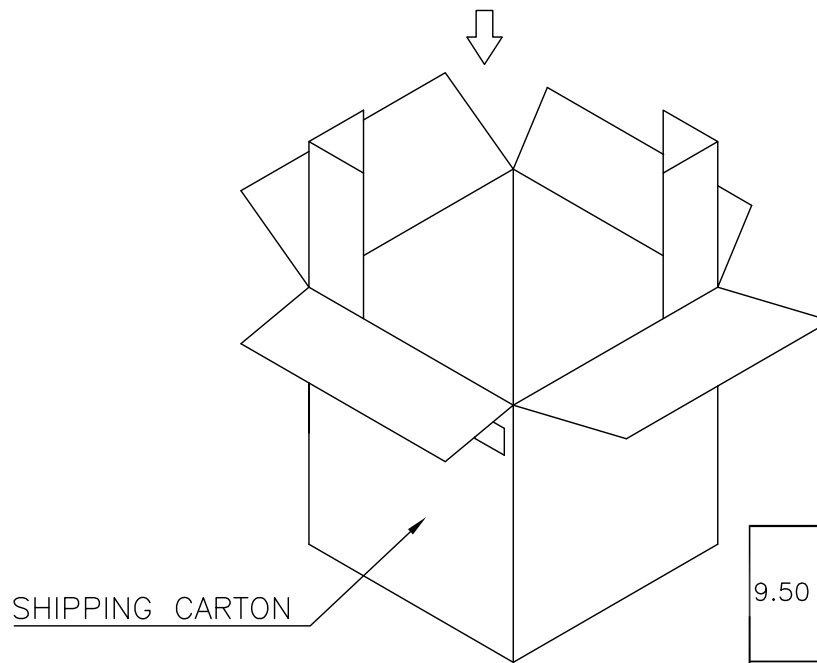
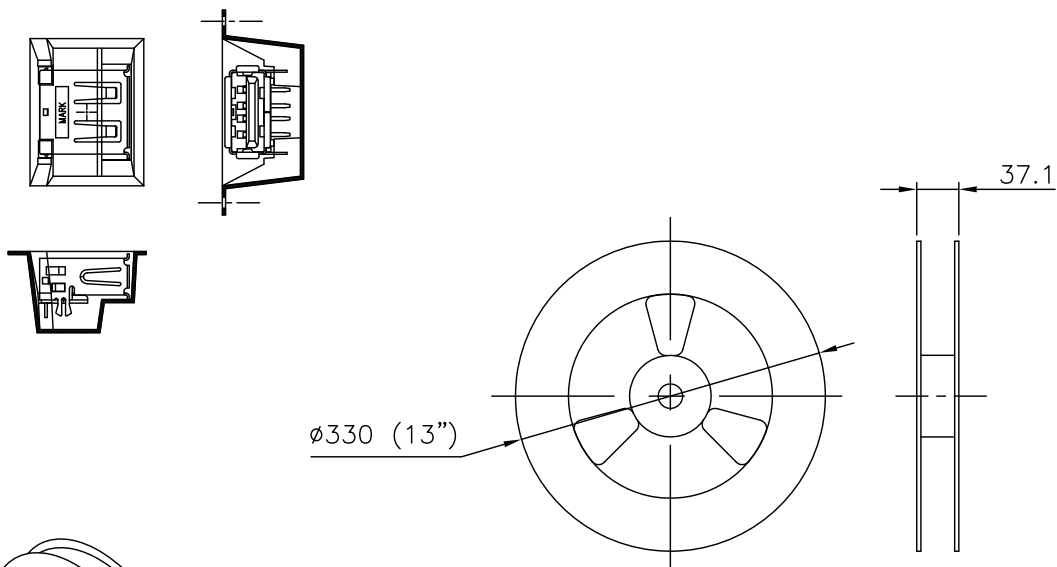
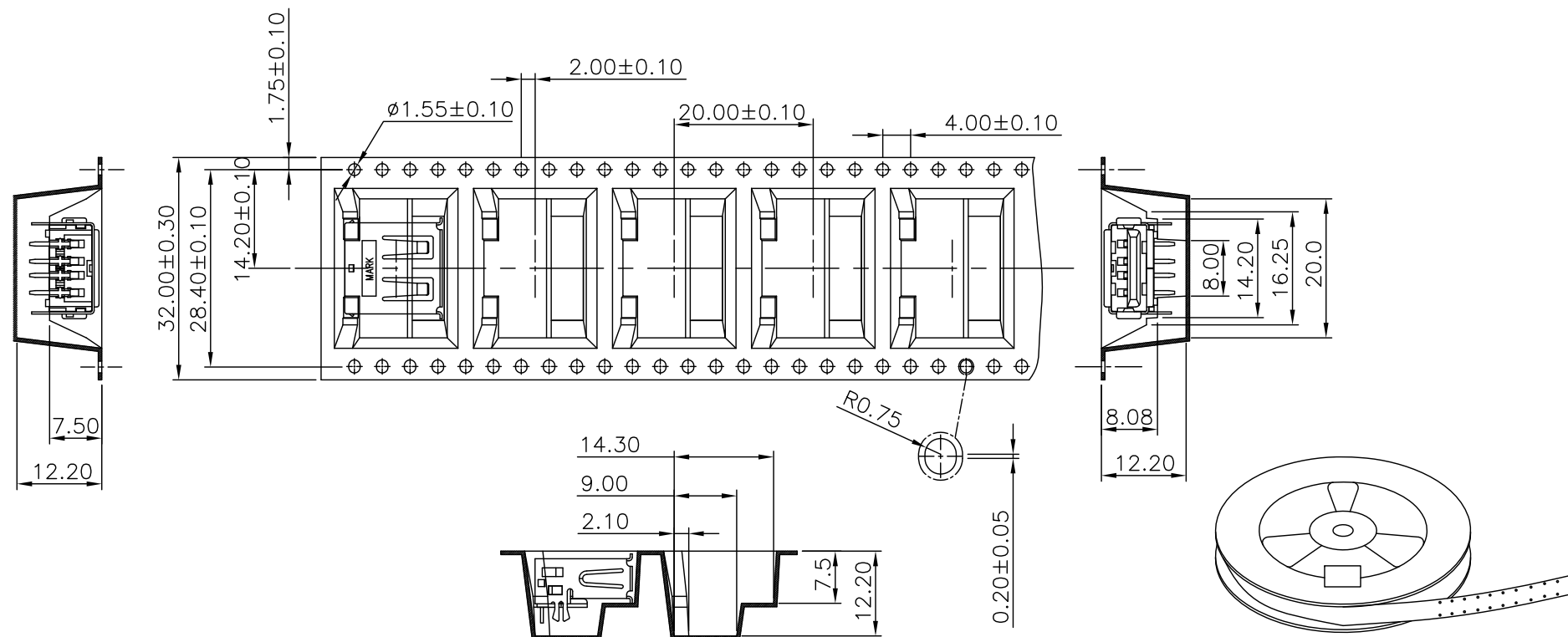
DIST

REVISIONS

P	LTR	DESCRIPTION	DATE	DWN	APVD
		SEE SHEET 1.			

NOTES:

- MATERIAL:
REEL: PS.
EMBOSSED CARRIER: PS.
COVER TAPE: PBT.
- DIMENSION :
TAPE REEL: $\phi 330\text{mm} \times 37.1\text{mm}$
SHIPPING CARTON: L=350mm,W=350mm, H=350mm
- QUANTITY :
PRIMARY PACKING: 250PCS/REEL
SECONDARY PACKING: 9 REELS/CARTON(2,250PCS).
- WEIGHT :
NET WEIGHT: 0.50 KG/REEL, 4.52 KG/CARTON.
GROSS WEIGHT: 1.00 KG/REEL, 9.50 KG/CARTON.
- PEELING RESISTANCE: 20G TO 130G.
- PEELING SPEED: 300MM/MIN.



9.50 Kg	4.52 Kg	250	9	2250	1-1734081-4	OBSOLETE
					1-1734081-3	
					1-1734081-2	
GROSS WEIGHT	NET WEIGHT	PCS/REEL	REELS/CARTON	QUANTITY	PART NUMBER	

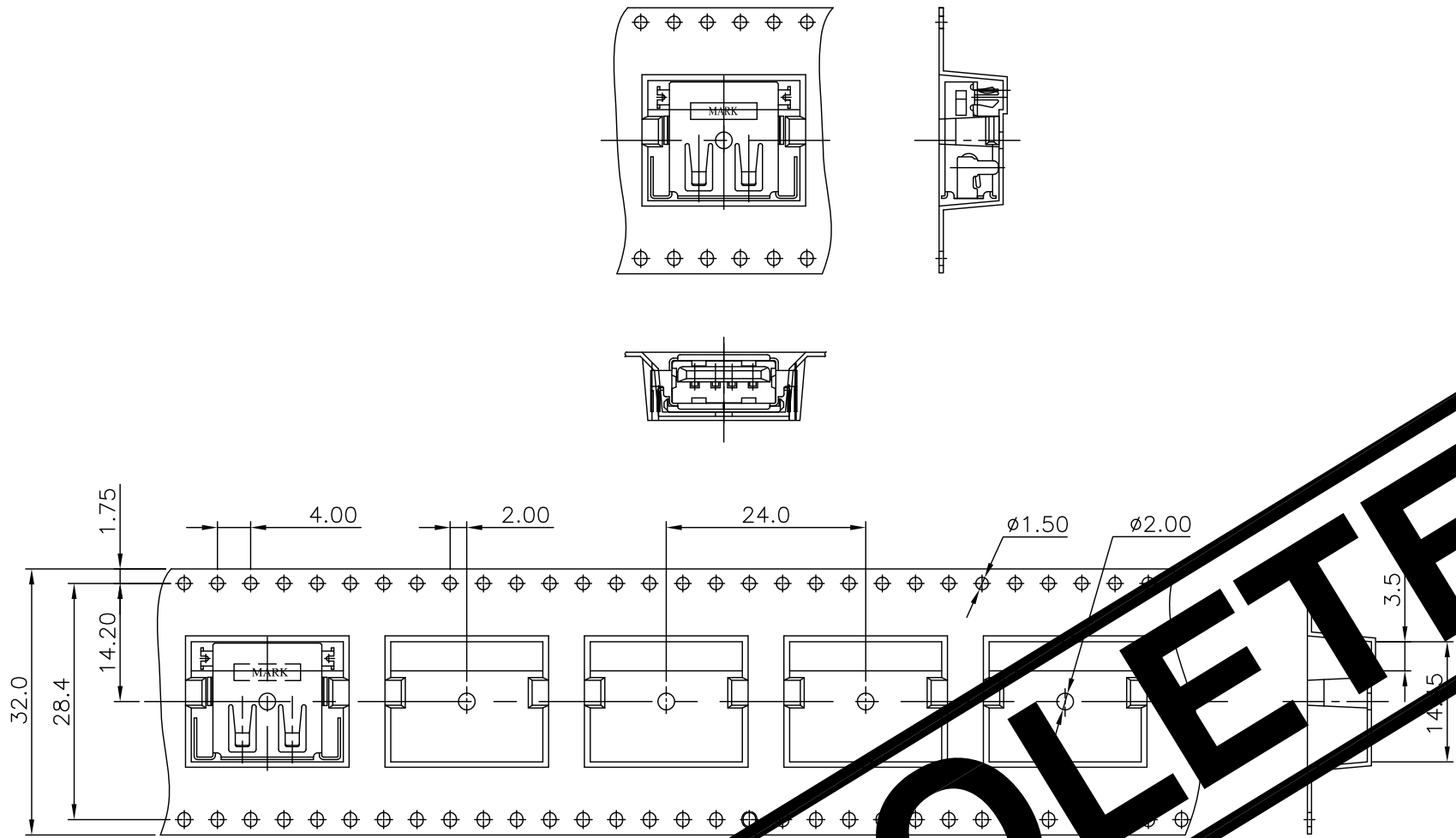
THIS DRAWING IS A CONTROLLED DOCUMENT.

DIMENSIONS: MM	TOLERANCES UNLESS OTHERWISE SPECIFIED:	DWN	TE Connectivity
	0 PLC ± -	CHK	
	1 PLC ± -	APVD	
	2 PLC ± -	PRODUCT SPEC	
MATERIAL	FINISH	APPLICATION SPEC	NAME
		WEIGHT	USB CONNECTOR, RECEPTACLE 4 POSITION, SERIES A
		CUSTOMER DRAWING	SIZE CAGE CODE DRAWING NO RESTRICTED TO
			A3 00779 C=1734081
			SCALE SHEET 10 of 19 REV E5

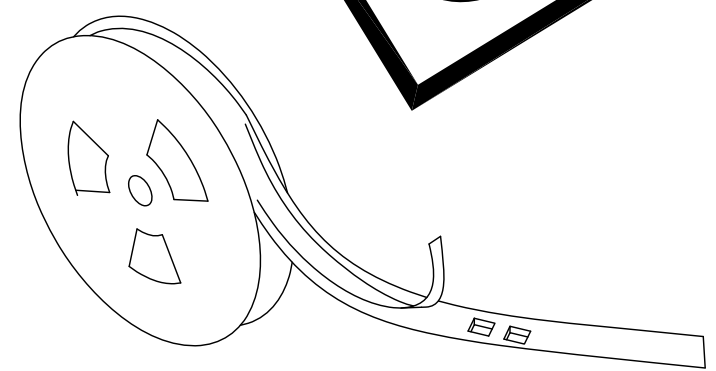
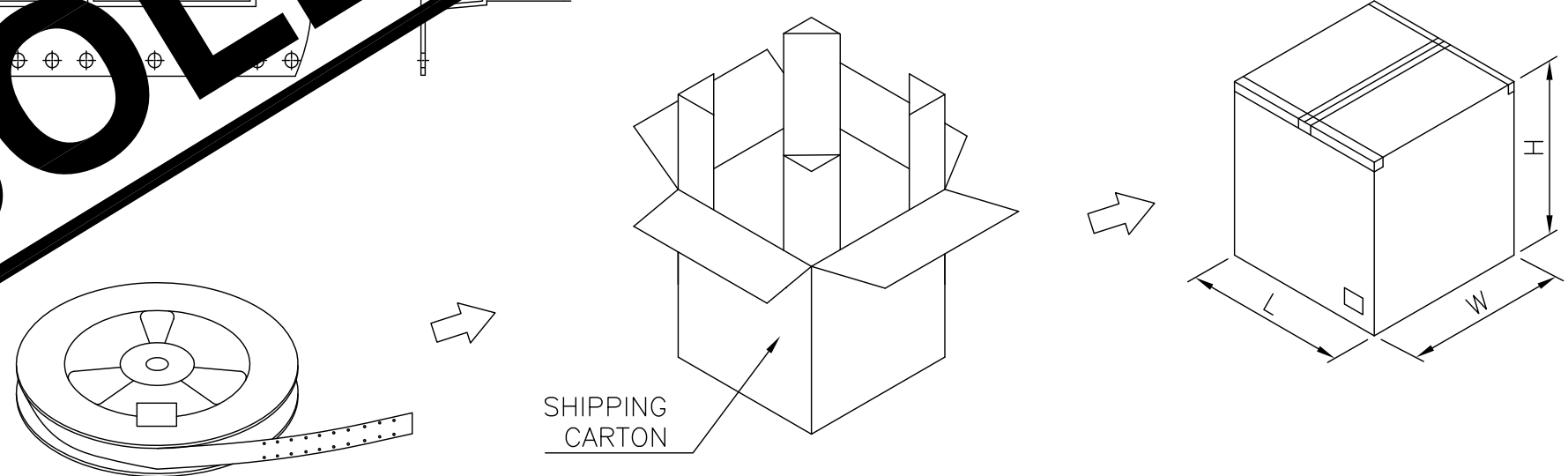
THIS DRAWING IS UNPUBLISHED. RELEASED FOR PUBLICATION AUG ,2006.
 © COPYRIGHT 2009 BY TYCO ELECTRONICS CORPORATION. ALL RIGHTS RESERVED.

LOC	DIST	REVISIONS				
P	LTR	DESCRIPTION	DATE	DWN	APVD	
		SEE SHEET 1.				

- NOTES:
- MATERIAL:
 REEL: PS.
 EMBOSSED CARRIER: PS.
 COVER TAPE: PBT.
 - DIMENSION :
 TAPE REEL: $\phi 330\text{mm} \times 37.1\text{mm}$
 SHIPPING CARTON: L=350mm,W=350mm, H=350mm
 - QUANTITY :
 PRIMARY PACKING: 300PCS/REEL
 SECONDARY PACKING: 8 REELS/CARTON(2,400PCS).
 - WEIGHT :
 NET WEIGHT: 0.44KG/REEL, 4.00 KG/CARTON.
 GROSS WEIGHT: 1.81 KG/REEL, 9.05 KG/CARTON.
 - PEELING RESISTANCE: 20G TO 130G.
 PEELING SPEED: 300MM/MIN.



OBSOLETE



9.05 Kg	4.00 Kg	300	8	2400	6-1734081-2
GROSS WEIGHT	NET WEIGHT	PCS/REEL	REELS /CARTON	QUANTITY	PART NUMBER

THIS DRAWING IS A CONTROLLED DOCUMENT.		DWN	STE TE Connectivity		
DIMENSIONS: MM		CHK			
TOLERANCES UNLESS OTHERWISE SPECIFIED:		APVD	NAME		
0 PLC ± -		PRODUCT SPEC	USB CONNECTOR, RECEPTACLE 4 POSITION, SERIES A		
1 PLC ± -		APPLICATION SPEC	SIZE	CAGE CODE	DRAWING NO
2 PLC ± -		WEIGHT	A3	00779	C=1734081
3 PLC ± -		CUSTOMER DRAWING	RESTRICTED TO		
4 PLC ± -		SCALE	SHEET		REV
ANGLES ± -			11 of 19		E5
FINISH					

THIS DRAWING IS UNPUBLISHED.

RELEASED FOR PUBLICATION

AUG ,2006.

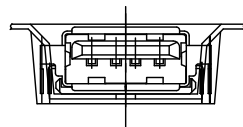
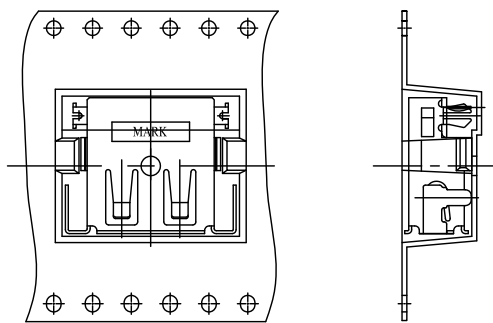
© COPYRIGHT 2009 BY TYCO ELECTRONICS CORPORATION. ALL RIGHTS RESERVED.

LOC DW

DIST

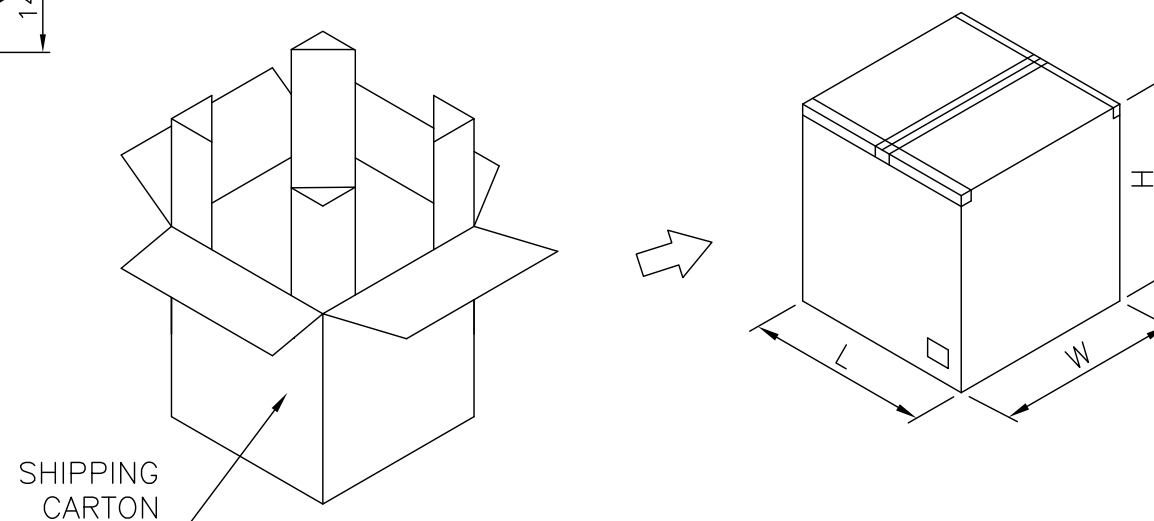
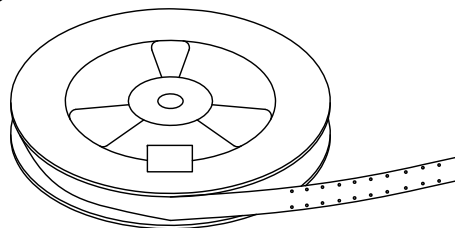
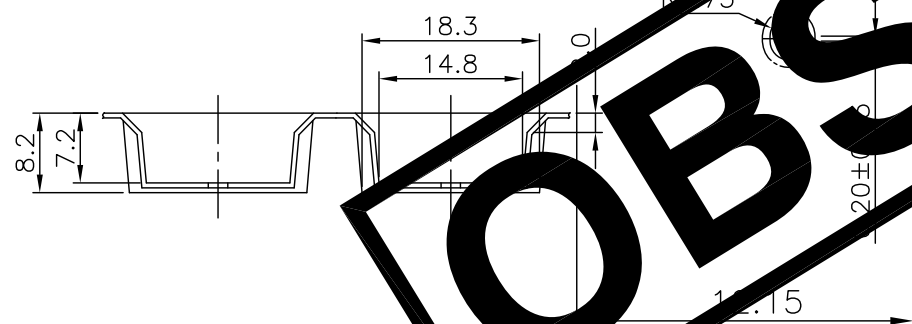
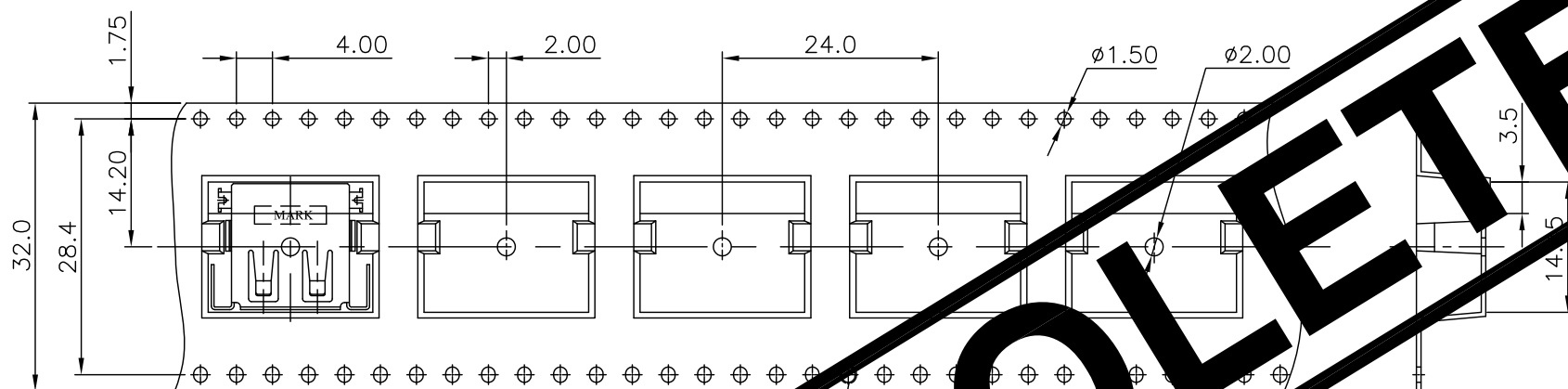
REVISIONS

P	LTR	DESCRIPTION	DATE	DWN	APVD
		SEE SHEET 1.			



NOTES:

- MATERIAL:
REEL: PS.
EMBOSSED CARRIER: PS.
COVER TAPE: PBT.
- DIMENSION :
TAPE REEL: $\phi 330\text{mm} \times 37.1\text{mm}$
SHIPPING CARTON: L=350mm,W=350mm, H=350mm
- QUANTITY :
PRIMARY PACKING: 300PCS/REEL
SECONDARY PACKING: 8 REELS/CARTON(2,400PCS).
- WEIGHT :
NET WEIGHT: 0.44KG/REEL, 4.00 KG/CARTON.
GROSS WEIGHT: 1.81 KG/REEL, 9.05 KG/CARTON.
PEELING RESISTANCE: 20G TO 130G.
- PEELING SPEED: 300MM/MIN.



OBSOLETE

9.05 Kg	4.00 Kg	300	8	2400	6-1734081-3
GROSS WEIGHT	NET WEIGHT	PCS/REEL	REELS /CARTON	QUANTITY	PART NUMBER

THIS DRAWING IS A CONTROLLED DOCUMENT.		DWN	TE TE Connectivity		
DIMENSIONS: MM		CHK			
TOLERANCES UNLESS OTHERWISE SPECIFIED:		APVD	NAME		
0 PLC ± -		PRODUCT SPEC	USB CONNECTOR, RECEPTACLE 4 POSITION, SERIES A		
1 PLC ± -		APPLICATION SPEC	SIZE	CAGE CODE	DRAWING NO
2 PLC ± -		WEIGHT	A3	00779	C=1734081
3 PLC ± -		CUSTOMER DRAWING	SCALE	SHEET	REV
4 PLC ± -				12 of 19	E5
ANGLES ± -					
MATERIAL					
FINISH					

THIS DRAWING IS UNPUBLISHED.

RELEASED FOR PUBLICATION

AUG ,2006.

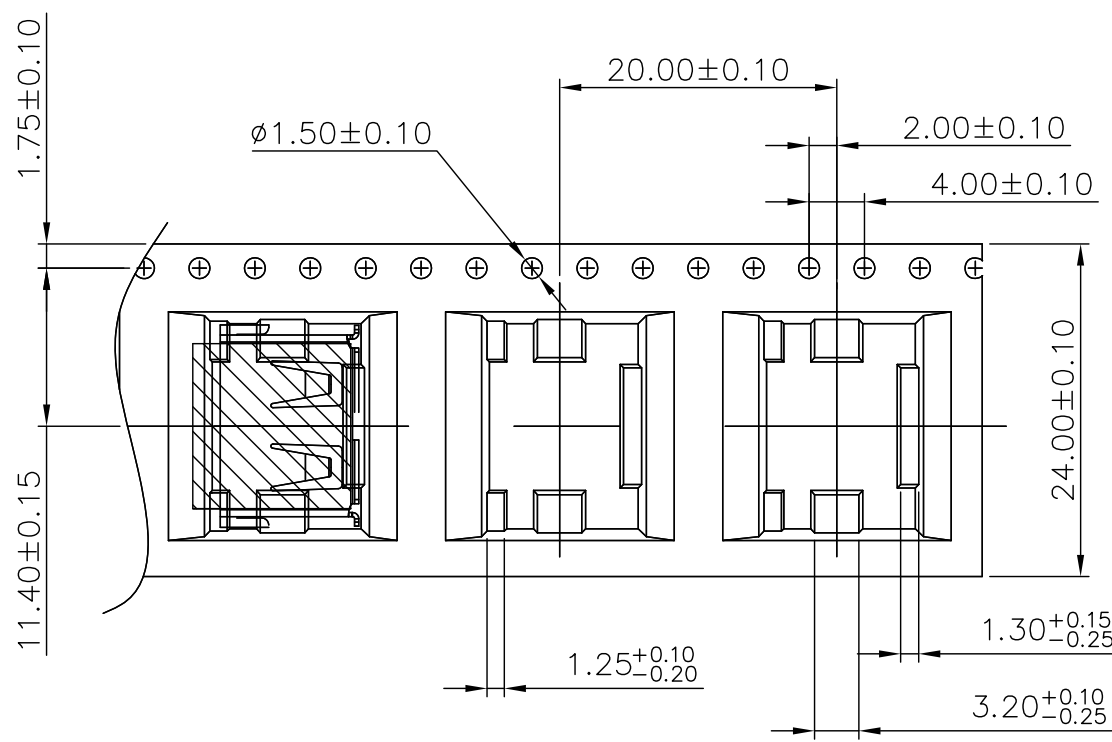
© COPYRIGHT 2009 BY TYCO ELECTRONICS CORPORATION. ALL RIGHTS RESERVED.

LOC DW

DIST

REVISIONS

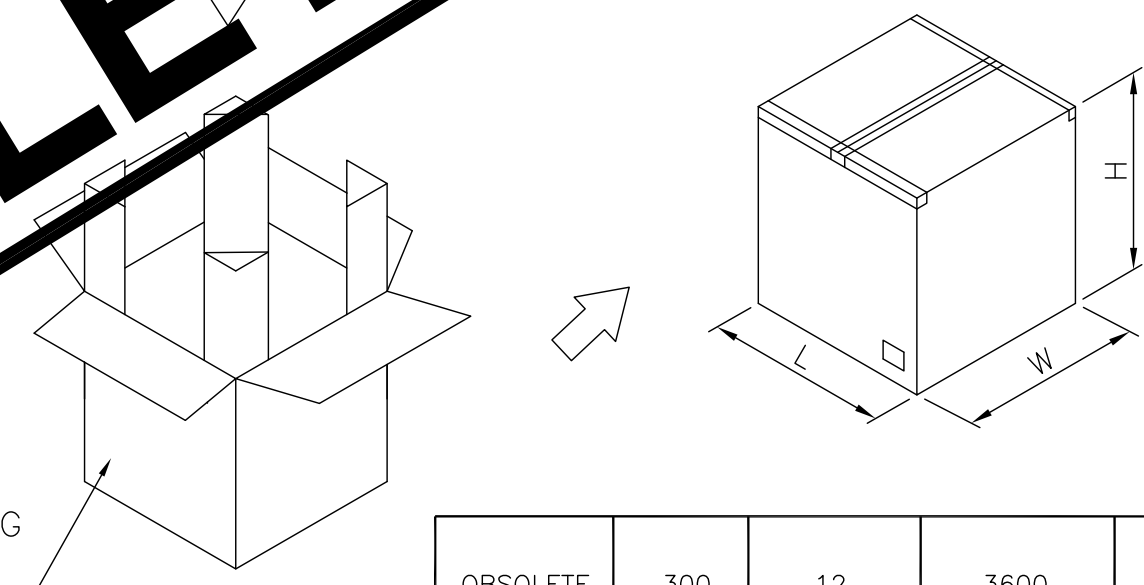
P	LTR	DESCRIPTION	DATE	DWN	APVD
		SEE SHEET 1.			



- NOTES:
- MATERIAL:
REEL: PS.
EMBOSSED CARRIER: PS.
COVER TAPE: PBT.
 - DIMENSION :
TAPE REEL: $\phi 330\text{mm} \times 29.5\text{mm}$
SHIPPING CARTON: L=350mm,W=350mm, H=400mm
 - QUANTITY :
PRIMARY PACKING: 300PCS/REEL
SECONDARY PACKING: 12 REELS/CARTON(3600PCS).
 - WEIGHT :
NET WEIGHT: 0.46 KG/REEL, 5.55 KG/CARTON.
GROSS WEIGHT: 0.89 KG/REEL, 10.65 KG/CARTON.
 - PEELING RESISTANCE: 20G TO 130G.
 - PEELING SPEED: 300MM/MIN.

OBSOLETE

SHIPPING CARTON



OBSOLETE	300	12	3600	10.65	5.55	5-1734081-3
						5-1734081-2
						5-1734081-1
	PCS/ REEL	REELS/ BOX	QUANTITY (PCS)	G/W (Kg)	N/W (Kg)	PART NUMBER

THIS DRAWING IS A CONTROLLED DOCUMENT.

DIMENSIONS: MM	TOLERANCES UNLESS OTHERWISE SPECIFIED:
	0 PLC ± -
	1 PLC ± -
	2 PLC ± -
	3 PLC ± -
	4 PLC ± -
	ANGLES ± -
MATERIAL	FINISH

DWN	TE Connectivity				
CHK	NAME				
APVD	USB CONNECTOR, RECEPTACLE 4 POSITION, SERIES A				
PRODUCT SPEC	SIZE	CAGE CODE	DRAWING NO	RESTRICTED TO	
APPLICATION SPEC	A3	00779	C=1734081	-	
WEIGHT	CUSTOMER DRAWING				
SCALE	SHEET	13 of 19			REV E5

THIS DRAWING IS UNPUBLISHED.

RELEASED FOR PUBLICATION

AUG ,2006.

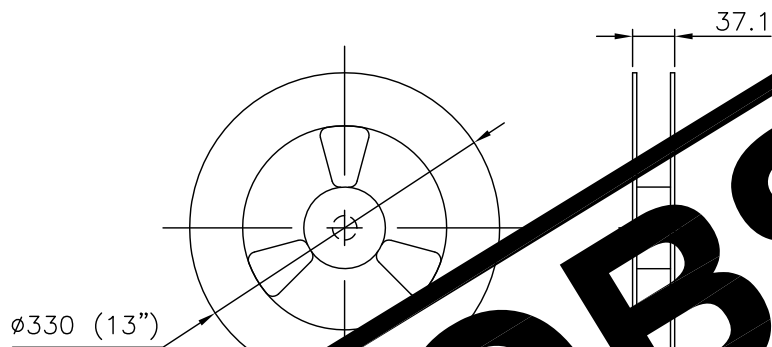
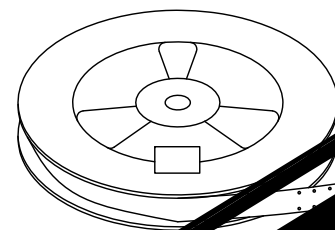
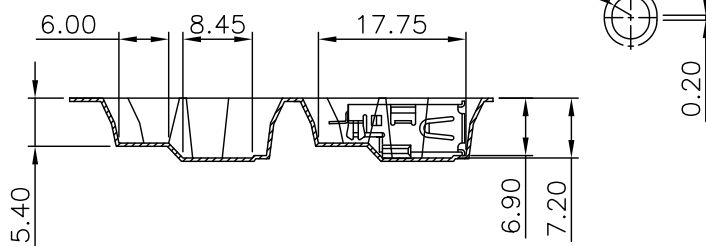
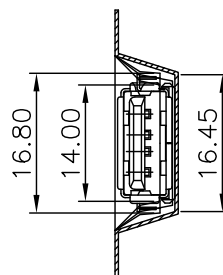
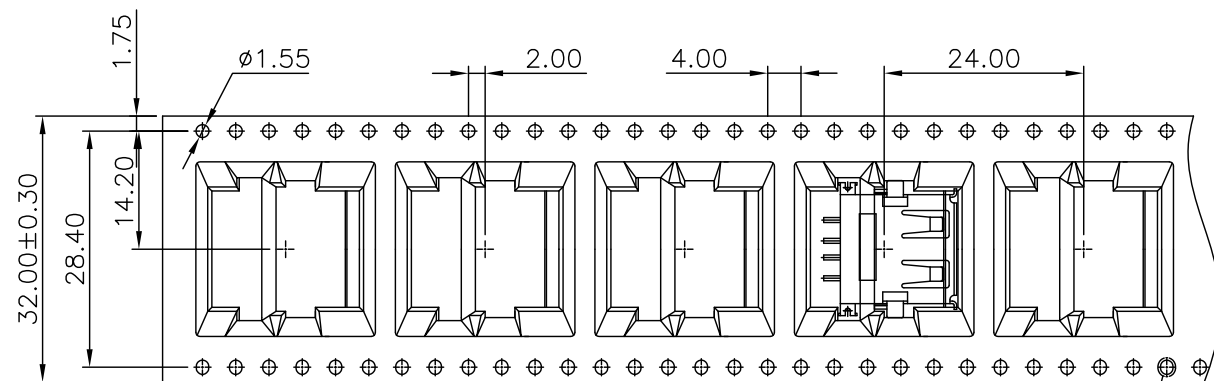
© COPYRIGHT 2009 BY TYCO ELECTRONICS CORPORATION. ALL RIGHTS RESERVED.

LOC DW

DIST

REVISIONS

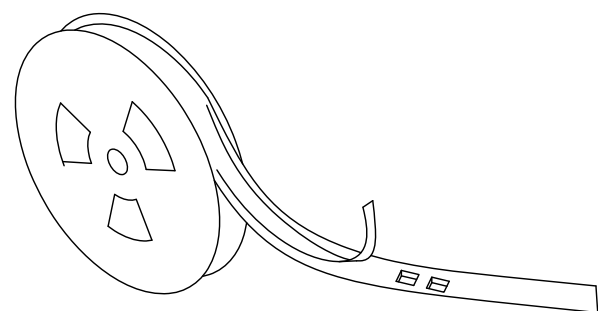
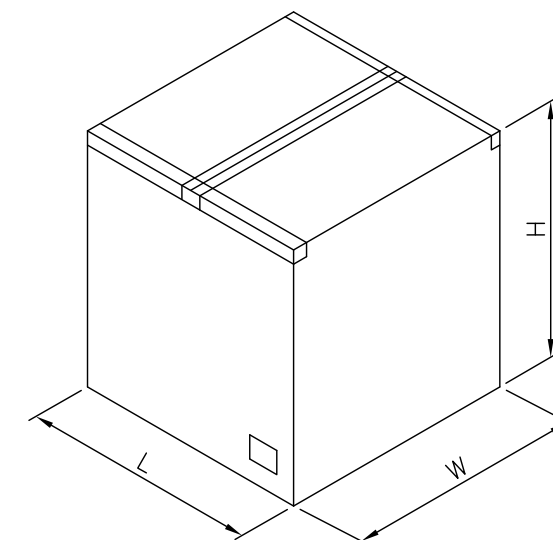
P	LTR	DESCRIPTION	DATE	DWN	APVD
		SEE SHEET 1.			



SHIPPING CARTON
9 TAPE-REEL/ CARTON

- NOTES:
- MATERIAL:
REEL: PS.
EMBOSSED CARRIER: PS.
COVER TAPE: PBT.
 - DIMENSION :
TAPE REEL: $\phi 330\text{mm} \times 37.1\text{mm}$
SHIPPING CARTON: L=350mm,W=350mm, H=350mm
 - QUANTITY :
PRIMARY PACKING: 350PCS/REEL
SECONDARY PACKING: 9 REELS/CARTON.(3150 PCS)
 - WEIGHT :
NET WEIGHT: 4.85 kg .
GROSS WEIGHT: 9.85 kg .
 - REELING RESISTANCE: 20G TO 130G.
 - REELING SPEED: 300MM/MIN.

OBSOLETE

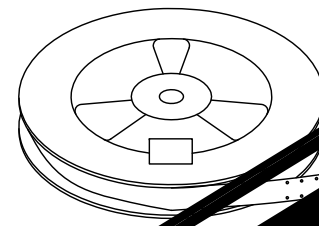
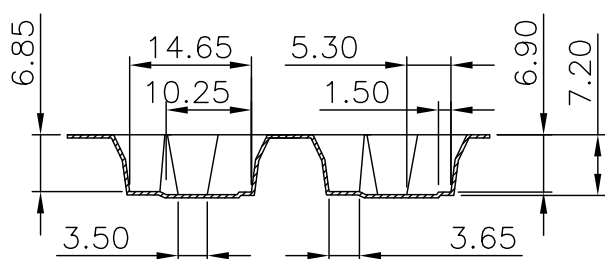
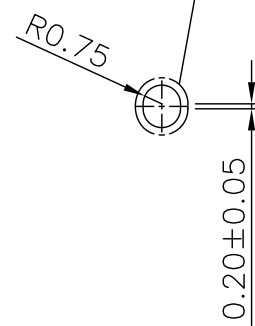
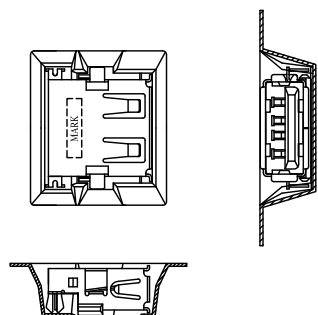
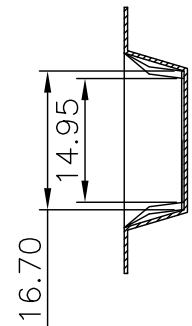
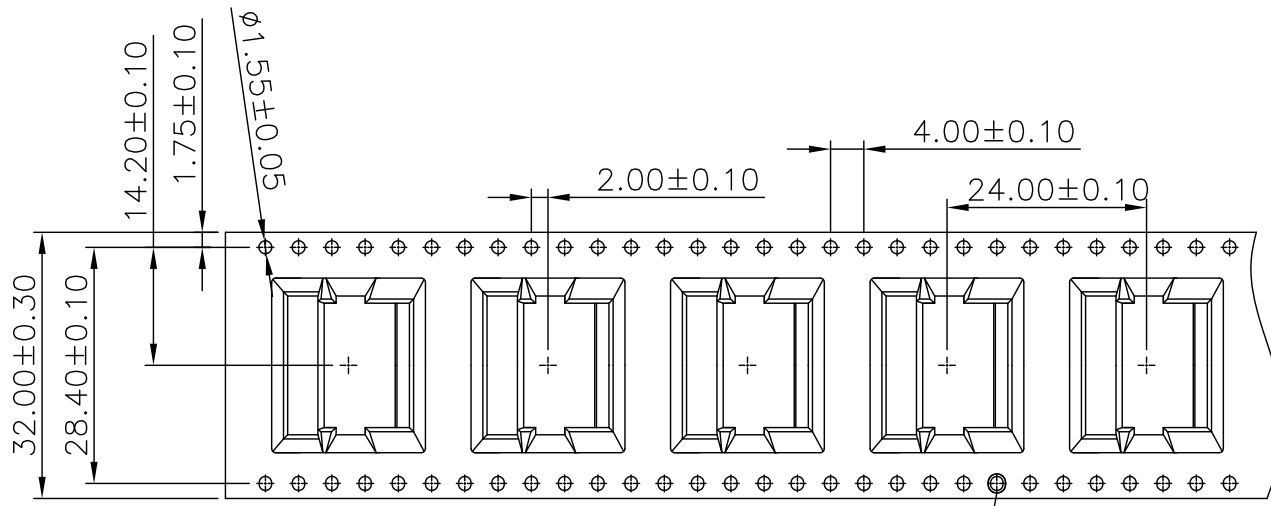


9.85 Kg	4.85 Kg	350	9	3150	3-1734081-1
GROSS WEIGHT	NET WEIGHT	PCS/REEL	REELS /CARTON	QUANTITY	PART NUMBER

THIS DRAWING IS A CONTROLLED DOCUMENT.		DWN	STE TE Connectivity		
DIMENSIONS: MM		CHK			
TOLERANCES UNLESS OTHERWISE SPECIFIED:		APVD	NAME		
0 PLC ± -		PRODUCT SPEC	USB CONNECTOR, RECEPTACLE 4 POSITION, SERIES A		
1 PLC ± -		APPLICATION SPEC	SIZE	CAGE CODE	DRAWING NO
2 PLC ± -		WEIGHT	A3	00779	C=1734081
3 PLC ± -		CUSTOMER DRAWING	RESTRICTED TO	-	
4 PLC ± -			SCALE	SHEET	REV
ANGLES ± -			-	14 of 19	E5
FINISH					

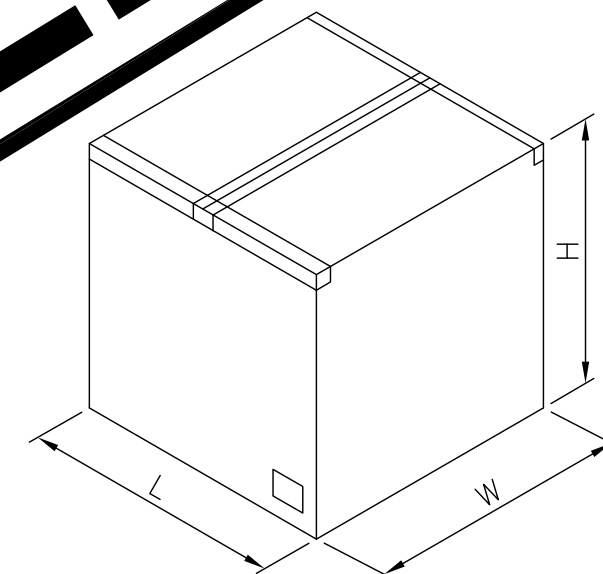
THIS DRAWING IS UNPUBLISHED. RELEASED FOR PUBLICATION AUG ,2006.
 © COPYRIGHT 2009 BY TYCO ELECTRONICS CORPORATION. ALL RIGHTS RESERVED.

LOC	DIST	REVISIONS					
DW		P	LTR	DESCRIPTION	DATE	DWN	APVD
				SEE SHEET 1.			



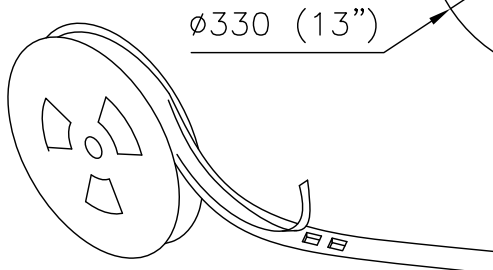
- NOTES:
- MATERIAL:
 REEL: PS.
 EMBOSSED CARRIER: PS.
 COVER TAPE: PBT.
 - DIMENSION :
 TAPE REEL: $\phi 330\text{mm} \times 37.1\text{mm}$
 SHIPPING CARTON: L=350mm, W=350mm, H=350mm
 - QUANTITY :
 PRIMARY PACKING: 350PCS/REEL
 SECONDARY PACKING: 9 REELS/CARTON(3,150PCS).
 - WEIGHT :
 NET WEIGHT: 0.55 KG/REEL, 4.85 KG/CARTON.
 GROSS WEIGHT: 1.09 KG/REEL, 9.85 KG/CARTON.
 - PEELING RESISTANCE: 20G TO 130G.
 PEELING SPEED: 100MM/MIN.

OBSOLETE



SHIPPING CARTON

OBSOLETE	9.85 Kg	4.85 Kg	350	9	3150	7-1734081-1
						2-1734081-3
	GROSS WEIGHT	NET WEIGHT	PCS/REEL	REELS /CARTON	QUANTITY	PART NUMBER



THIS DRAWING IS A CONTROLLED DOCUMENT.		DWN				
DIMENSIONS: MM		CHK				
TOLERANCES UNLESS OTHERWISE SPECIFIED:		APVD	NAME			
0 PLC ± -		PRODUCT SPEC	USB CONNECTOR, RECEPTACLE 4 POSITION, SERIES A			
1 PLC ± -		APPLICATION SPEC	SIZE	CAGE CODE	DRAWING NO	RESTRICTED TO
2 PLC ± -		WEIGHT	A3	00779	C=1734081	-
3 PLC ± -		CUSTOMER DRAWING	SCALE	SHEET	REV	
4 PLC ± -				15 of 19	E5	
ANGLES ± -						
FINISH						

THIS DRAWING IS UNPUBLISHED.

RELEASED FOR PUBLICATION

AUG ,2006.

© COPYRIGHT 2009 BY TYCO ELECTRONICS CORPORATION. ALL RIGHTS RESERVED.

LOC

DIST

REVISIONS

DW

P

LTR

DESCRIPTION

DATE

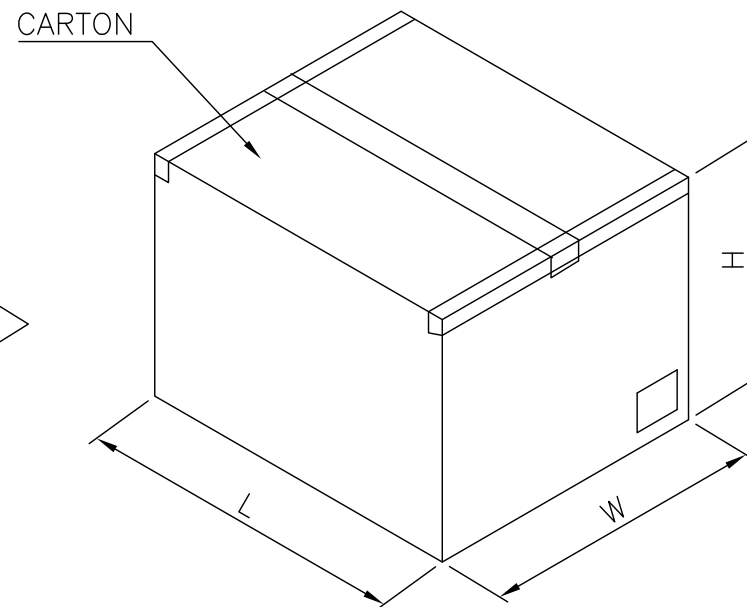
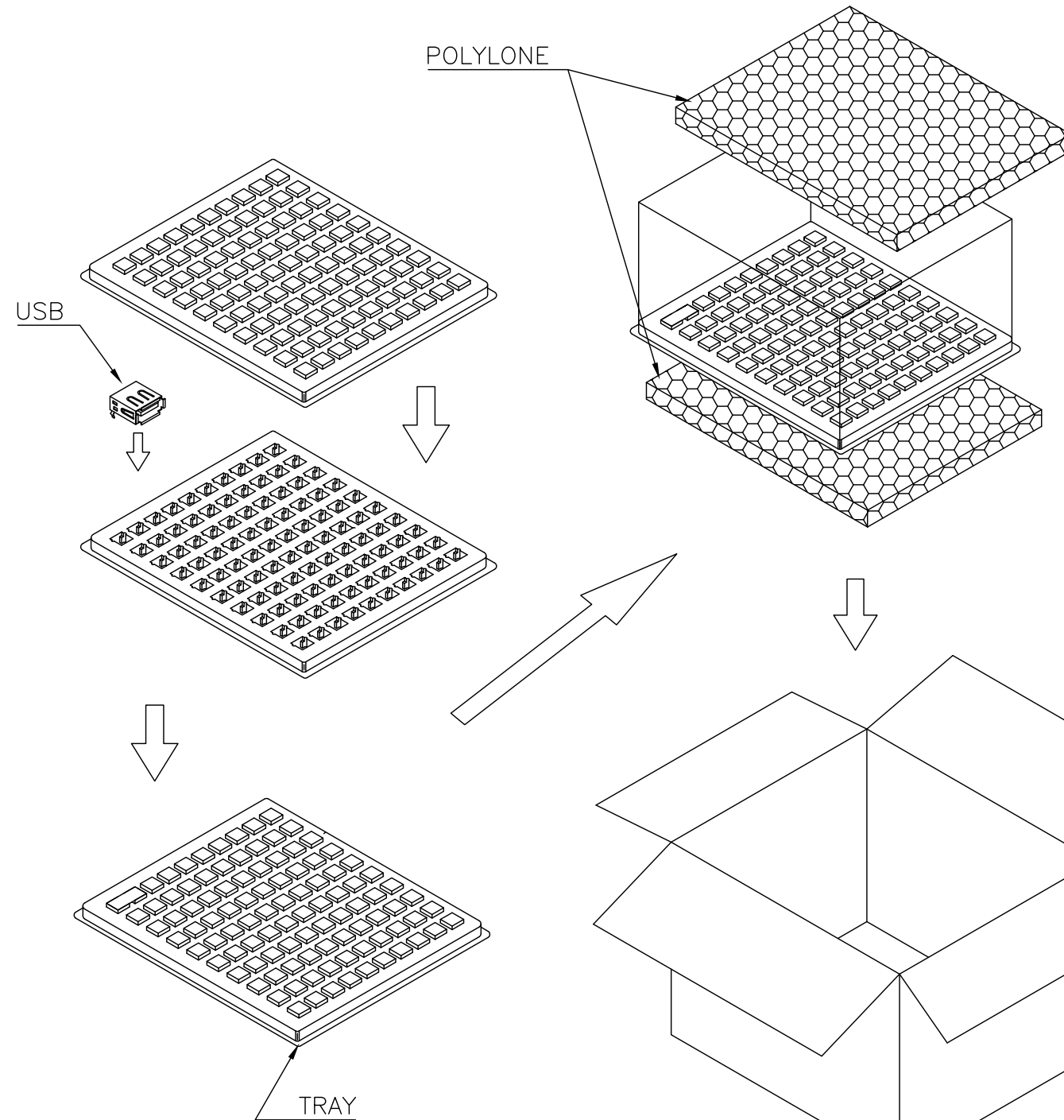
DWN

APVD

SEE SHEET 1.

NOTES:

- 1. DIMENSION :
 TRAY : L=295mm, W=252mm, H=14mm
 SHIPPING CARTON: L=315mm, W=270mm, H=200mm
 POLYSTYRENE : L=290mm, W=250mm, H=10mm
- 2. QUANTITY :
 PRIMARY PACKING: 100 PCS/TRAY
 SECONDARY PACKING: 10 TRAYS/CARTON
 (1,000PCS)
- 3. WEIGHT :
 NET WEIGHT: 2.03KG/CARTON.
 GROSS WEIGHT: 3.10KG/CARTON.



3.10 Kg	2.03 Kg	100	10	1000	4-1734081-2	OBSOLETE
					4-1734081-1	OBSOLETE
					1-1734081-1	
					1734081-2	OBSOLETE
					1734081-1	
GROSS WEIGHT	NET WEIGHT	PCS/TRAY	TRAY /CARTON	QUANTITY	PART NUMBER	

THIS DRAWING IS A CONTROLLED DOCUMENT.

DIMENSIONS: MM	TOLERANCES UNLESS OTHERWISE SPECIFIED: 0 PLC ± - 1 PLC ± - 2 PLC ± - 3 PLC ± - 4 PLC ± - ANGLES ± -	DWN	TE Connectivity NAME USB CONNECTOR, RECEPTACLE 4 POSITION, SERIES A			
MATERIAL	FINISH	CHK				
		APVD				
		PRODUCT SPEC				
		APPLICATION SPEC				
		WEIGHT	SIZE	CAGE CODE	DRAWING NO	RESTRICTED TO
		CUSTOMER DRAWING	A3	00779	1734081	
			SCALE	SHEET	REV	
				16 of 19	E5	

THIS DRAWING IS UNPUBLISHED.

RELEASED FOR PUBLICATION

AUG ,2006.

© COPYRIGHT 2009 BY TYCO ELECTRONICS CORPORATION. ALL RIGHTS RESERVED.

LOC

DIST

REVISIONS

DW

P

LTR

DESCRIPTION

DATE

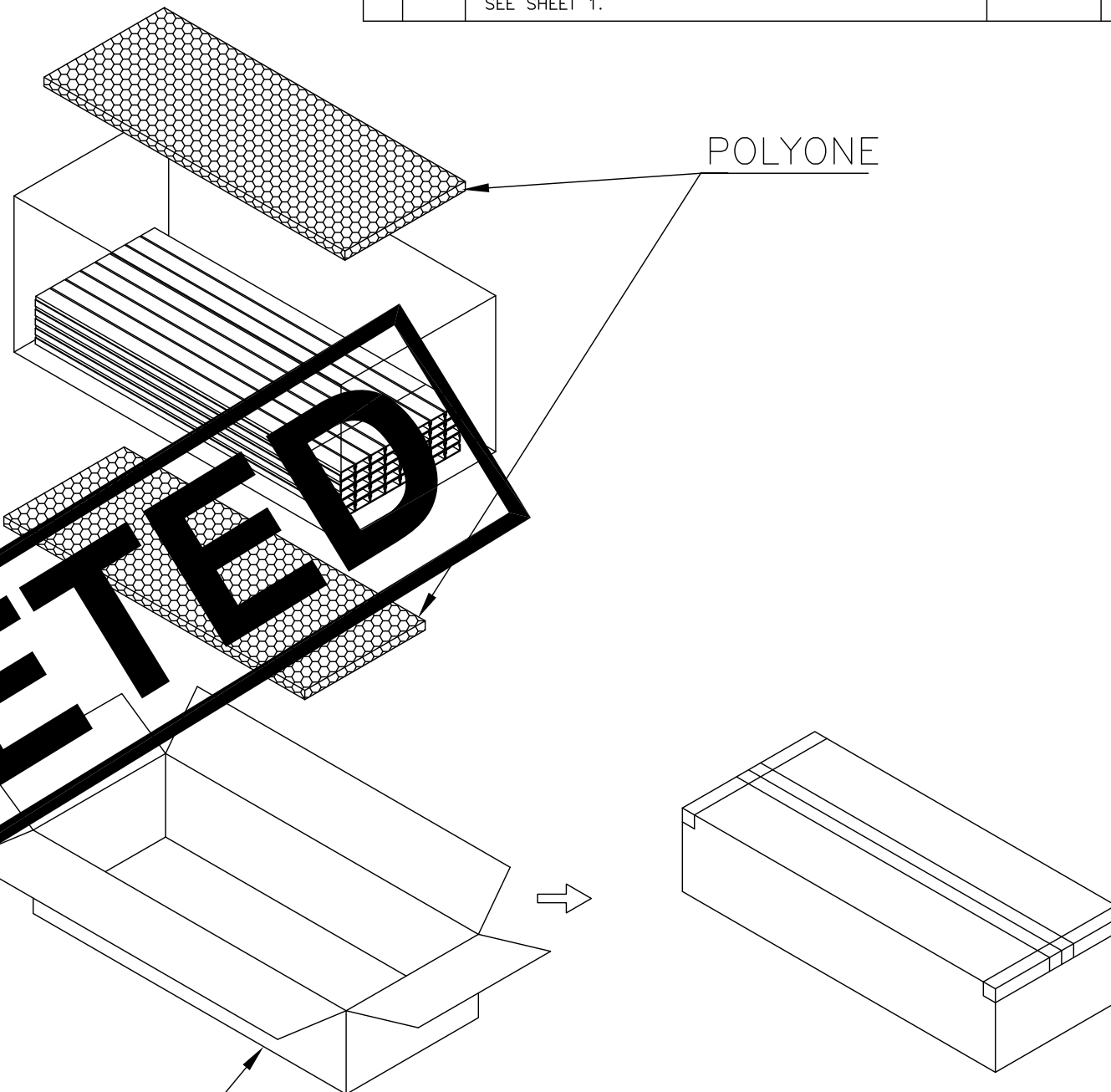
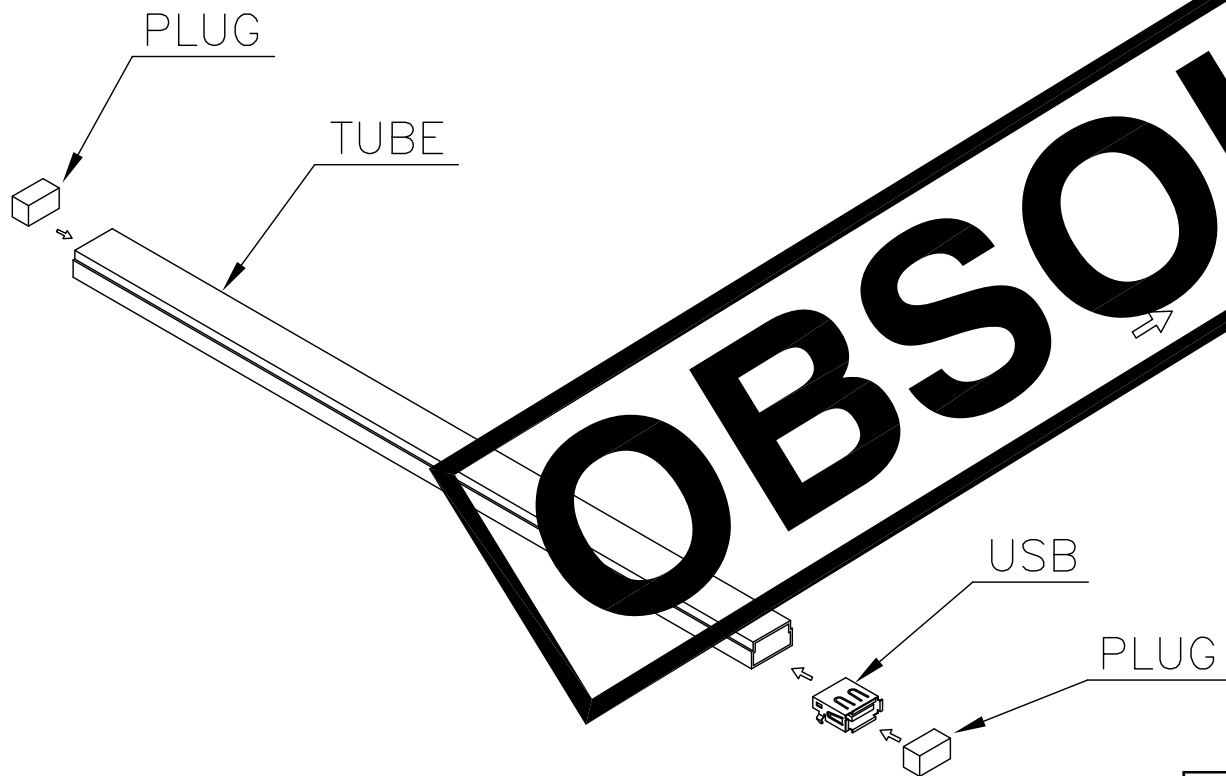
DWN

APVD

SEE SHEET 1.

NOTES:

- 1. MATERIAL:
TRAY: PE.
POLYLONE:POLYLONE
SHIPPING CARTON: CORRUGATED FIBER.
- 2. DIMENSION :
TUBE : L=370mm, W=18.7mm, H=10.1mm
SHIPPING CARTON : L=390mm, W=165mm, H=90mm
- 3. QUANTITY :
25 PCS/TUBE
40 TUBES/INNER BOX(1,000PCS)
- 4. WEIGHT :
NET WEIGHT : 1.54 KG
GROSS WEIGHT : 2.45 KG



OBSOLETE	2.45 Kg	1.54 Kg	25	40	1000	2-1734081-2
						2-1734081-1
	GROSS WEIGHT	NET WEIGHT	PCS/TUBE	TUBES /CARTON	QUANTITY	PART NUMBER

THIS DRAWING IS A CONTROLLED DOCUMENT.		DWN	TE TE Connectivity			
DIMENSIONS: MM		CHK				
TOLERANCES UNLESS OTHERWISE SPECIFIED:		APVD	NAME			
0 PLC ± -		PRODUCT SPEC	USB CONNECTOR, RECEPTACLE 4 POSITION, SERIES A			
1 PLC ± -		APPLICATION SPEC	SIZE	CAGE CODE	DRAWING NO	RESTRICTED TO
2 PLC ± -		WEIGHT	A3	00779	1734081	-
3 PLC ± -		CUSTOMER DRAWING	SCALE	SHEET	REV	
4 PLC ± -			-	17 of 19	E5	
ANGLES ± -						
MATERIAL						
FINISH						

THIS DRAWING IS UNPUBLISHED.

RELEASED FOR PUBLICATION

AUG ,2006.

© COPYRIGHT 2009 BY TYCO ELECTRONICS CORPORATION. ALL RIGHTS RESERVED.

LOC DW

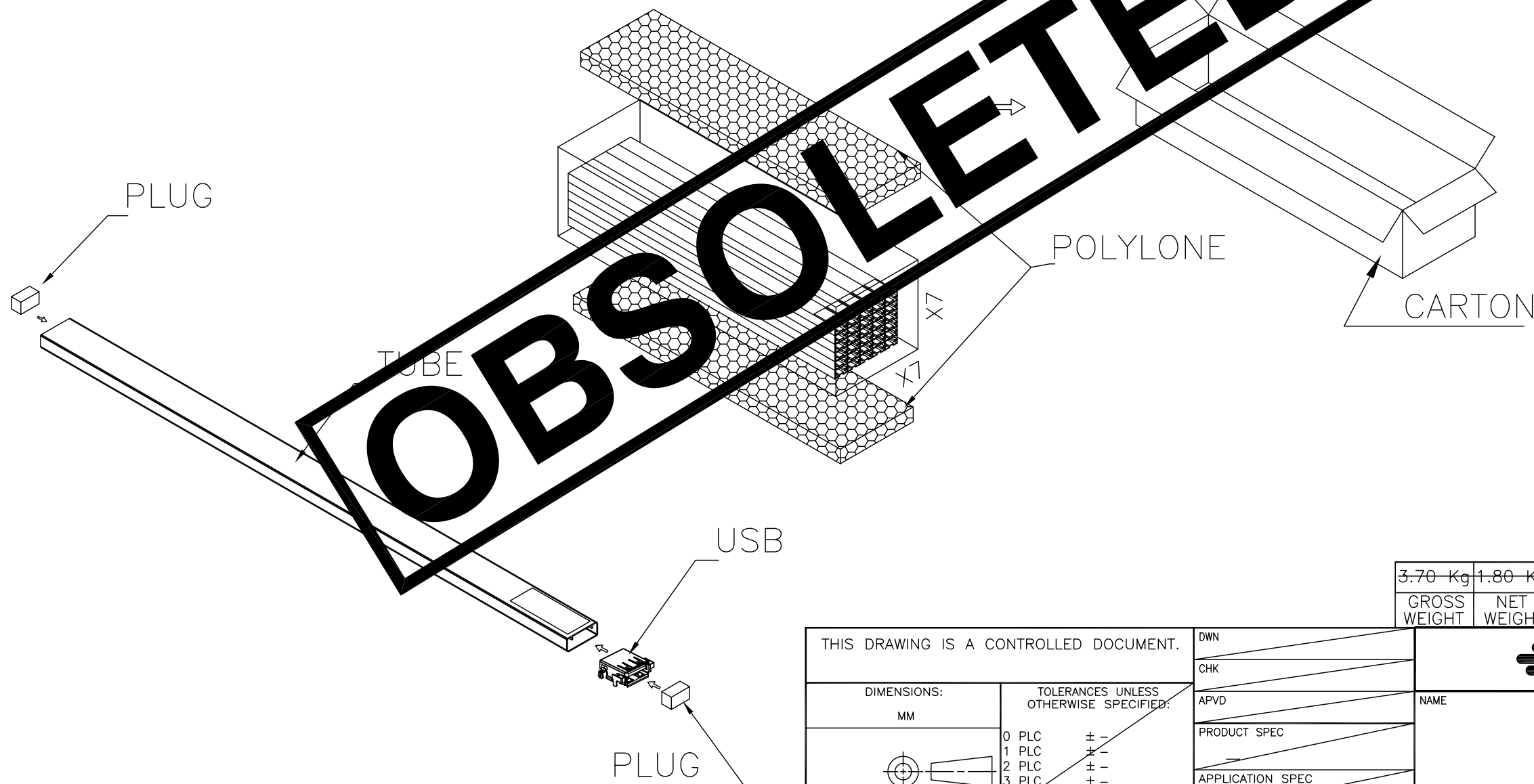
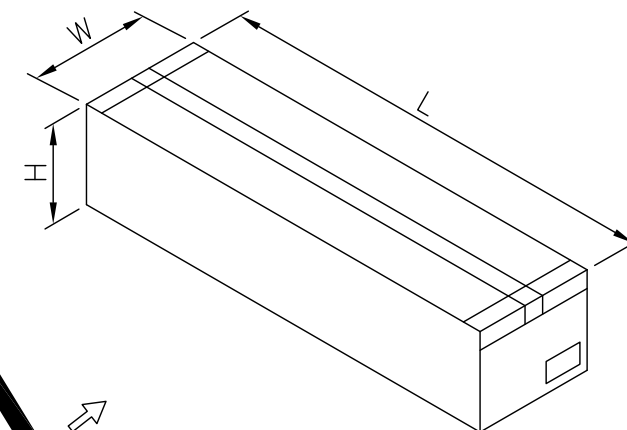
DIST

REVISIONS

P	LTR	DESCRIPTION	DATE	DWN	APVD
		SEE SHEET 1.			

NOTE:

- MATERIAL:
TRAY: PE.
POLYLONE:POLYLONE
SHIPPING CARTON: CORRUGATED FIBER.
- DIMENSION :
TUBE : L=370mm, W=21.8mm, H=8.6mm
SHIPPING CARTON : L=390mm, W=165mm, H=90mm
- QUANTITY :
25 PCS/TUBE
49 TUBES/INNER BOX(1,225PCS)
- WEIGHT :
NET WEIGHT : 1.80 KG
GROSS WEIGHT : 3.70 KG



3.70 Kg	1.80 Kg	25	49	1225	6-1734081-1
GROSS WEIGHT	NET WEIGHT	PCS/TUBE	TUBES /CARTON	QUANTITY	PART NUMBER

THIS DRAWING IS A CONTROLLED DOCUMENT.		DWN	STE TE Connectivity		
DIMENSIONS: MM		CHK			
TOLERANCES UNLESS OTHERWISE SPECIFIED:		APVD	NAME		
0 PLC ± -		PRODUCT SPEC	USB CONNECTOR, RECEPTACLE 4 POSITION, SERIES A		
1 PLC ± -		APPLICATION SPEC	SIZE	CAGE CODE	DRAWING NO
2 PLC ± -		WEIGHT	A3	00779	C=1734081
3 PLC ± -		CUSTOMER DRAWING	RESTRICTED TO		
4 PLC ± -		SCALE	SHEET		REV
ANGLES ± -			18 of 19		E5
FINISH					

THIS DRAWING IS UNPUBLISHED.

RELEASED FOR PUBLICATION

AUG ,2006.

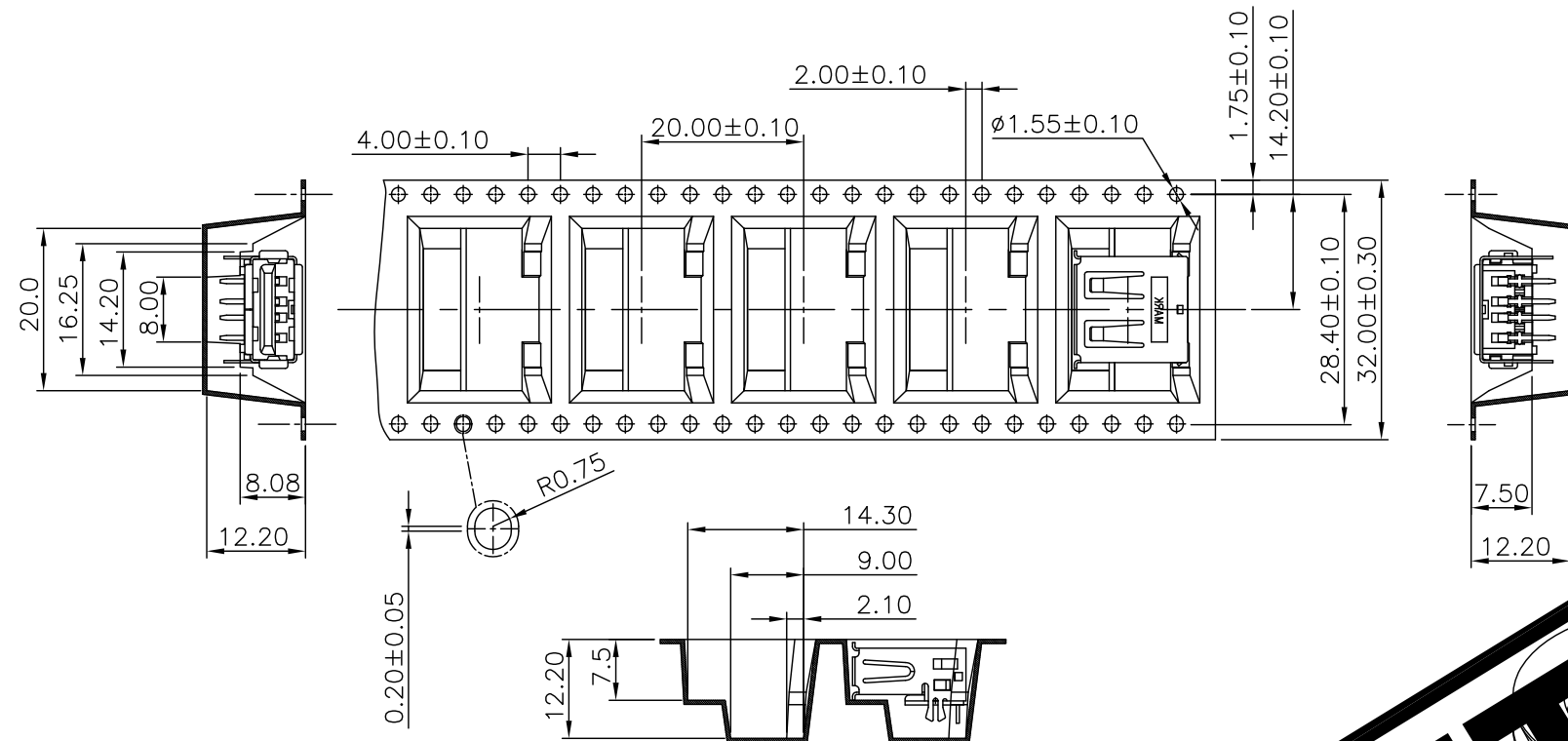
© COPYRIGHT 2009 BY TYCO ELECTRONICS CORPORATION. ALL RIGHTS RESERVED.

LOC DW

DIST

REVISIONS

P	LTR	DESCRIPTION	DATE	DWN	APVD
		SEE SHEET 1.			



NOTES:

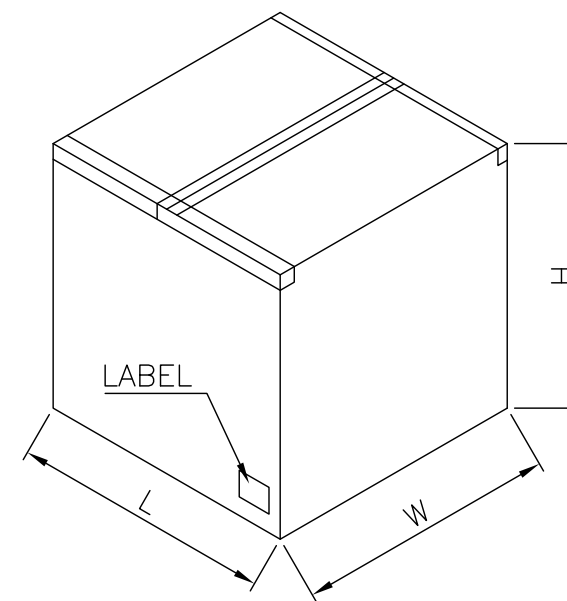
- MATERIAL:
REEL: PS.
EMBOSSED CARRIER: PS.
COVER TAPE: PBT.
- DIMENSION:
SHIPPING CARTON: L=350mm,W=350mm, H=350mm
- PEELING RESISTANCE: 20G TO 130G.
PEELING SPEED: 300MM/MIN.

PULL OUT DIRECTION

OBSOLETE

LABEL

SHIPPING CARTON



9.50 Kg	4.52 Kg	250	9	2250	1	1734081	5
GROSS WEIGHT	NET WEIGHT	PCS/REEL	REELS /CARTON	QUANTITY	PART NUMBER		

THIS DRAWING IS A CONTROLLED DOCUMENT.		DWN	STE TE Connectivity				
DIMENSIONS: MM		CHK					
TOLERANCES UNLESS OTHERWISE SPECIFIED:		APVD	NAME				
0 PLC ± -		PRODUCT SPEC	USB CONNECTOR, RECEPTACLE 4 POSITION, SERIES A				
1 PLC ± -		APPLICATION SPEC	SIZE	CAGE CODE	DRAWING NO	RESTRICTED TO	
2 PLC ± -		WEIGHT	A3	00779	C=1734081	-	
3 PLC ± -		CUSTOMER DRAWING	SCALE		SHEET	REV	
4 PLC ± -			-		19 of 19	E5	
ANGLES ± -							
FINISH							

