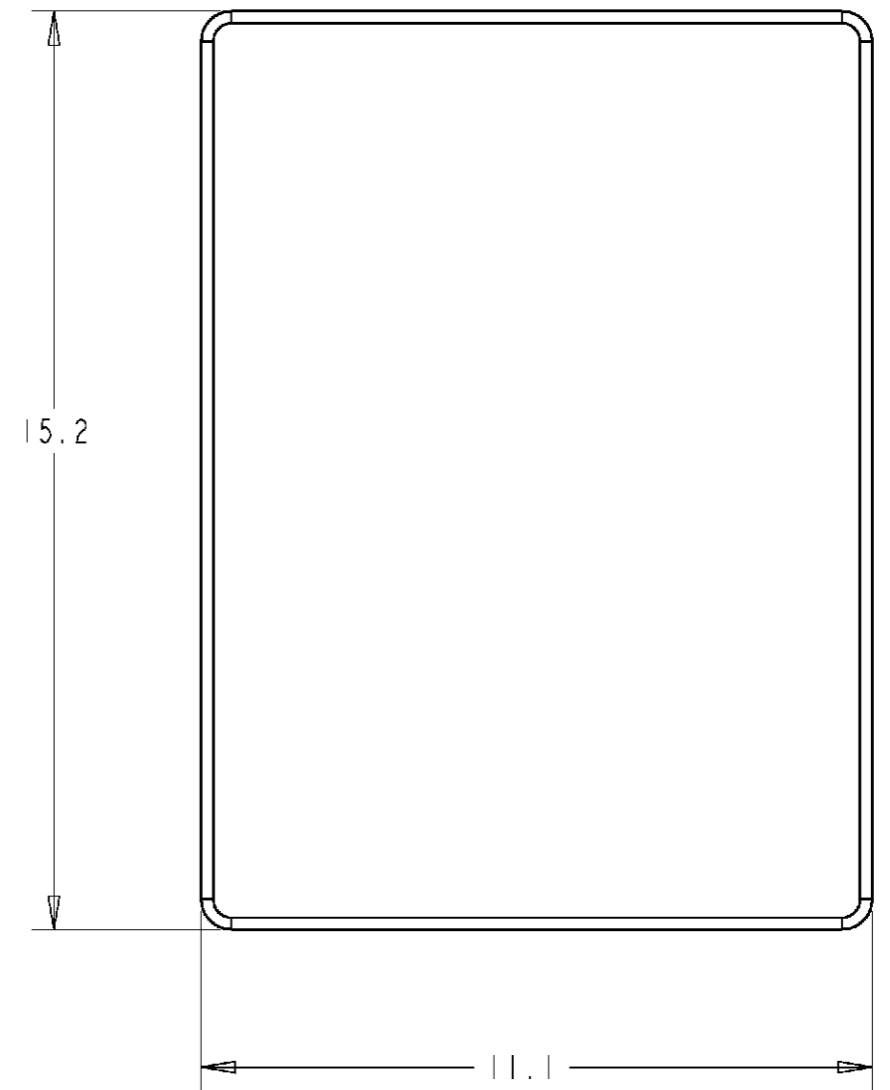
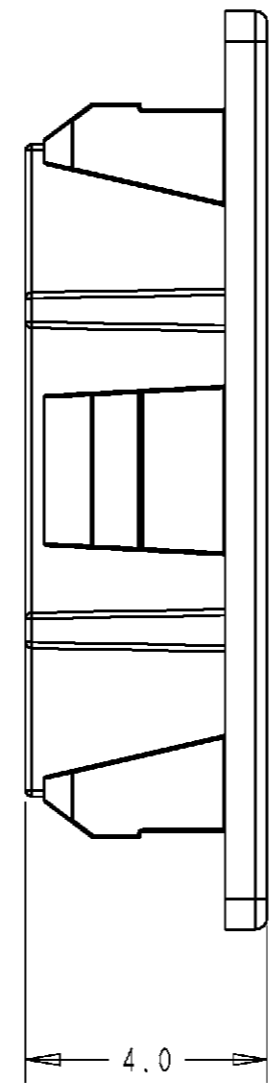
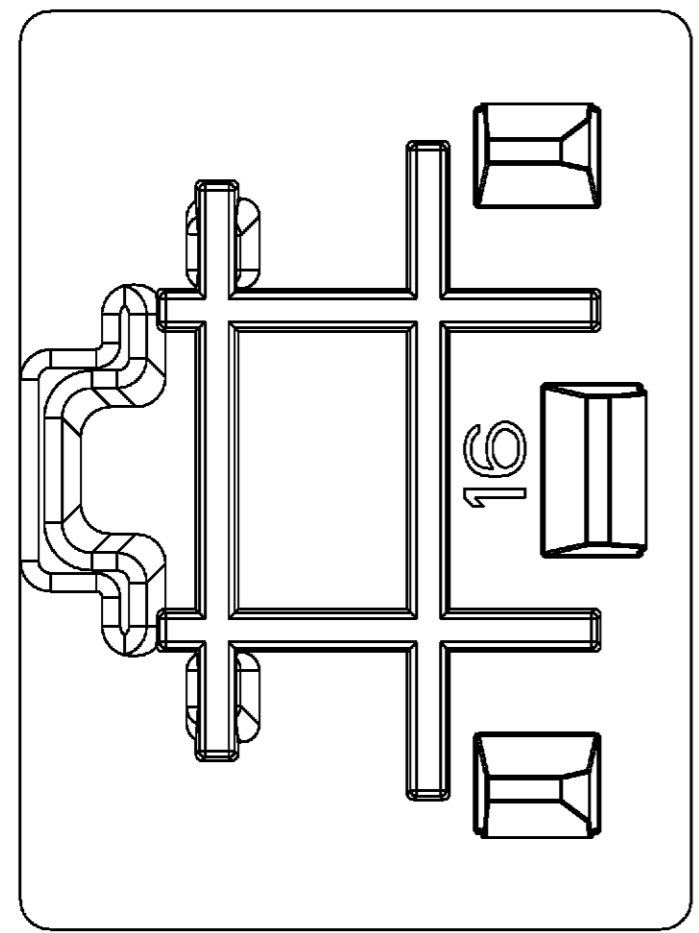


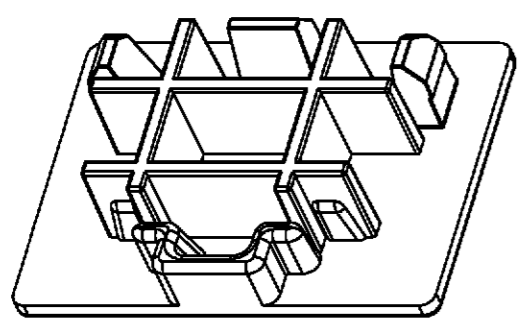
THIS DRAWING IS UNPUBLISHED. RELEASED FOR PUBLICATION 2000
 © COPYRIGHT 2000 BY TYCO ELECTRONICS CORPORATION. ALL RIGHTS RESERVED.

LOC	DIST	REVISIONS					
		P	LTR	DESCRIPTION	DATE	DWN	APVD
GW	-		A	EH00-1277-99	28 JUN 99	-	-
			B	SR10-0420-01	28 SEP 01	KV	-



PACKAGING: 50.000 PCS IN A BOX

BLACK, DULL FINISH	G.F. NYLON	188729-1
COLOR	MATERIAL	PARTNUMBER



3D VIEW
SCALE 4:1

THIS DRAWING IS A CONTROLLED DOCUMENT FOR TYCO ELECTRONICS CORPORATION
 IT IS SUBJECT TO CHANGE AND THE CONTROLLING ENGINEERING ORGANIZATION
 SHOULD BE CONTACTED FOR THE LATEST REVISION.

DIMENSIONS:	TOLERANCES UNLESS OTHERWISE SPECIFIED:
mm	
	0 PLC ±
	1 PLC ±
	2 PLC ±0.15
	3 PLC ±
	4 PLC ±
	ANGLES ±
MATERIAL	FINISH
-	-

DWN	-	tyco Electronics	Tyco Electronics	
CHK	M.v.ESSEN		Oostkamp - Belgium	
APVD	M.v.ESSEN	NAME		
PRODUCT SPEC	-	SOLDER STOP/COVER FOR 8 POSITION MODULAR JACK		
APPLICATION SPEC	-	SIZE	CAGE CODE	DRAWING NO
WEIGHT	-	A3	00779	188729
CUSTOMER DRAWING		SCALE	SHEET	OF
		8:1	1	1
			REV	B