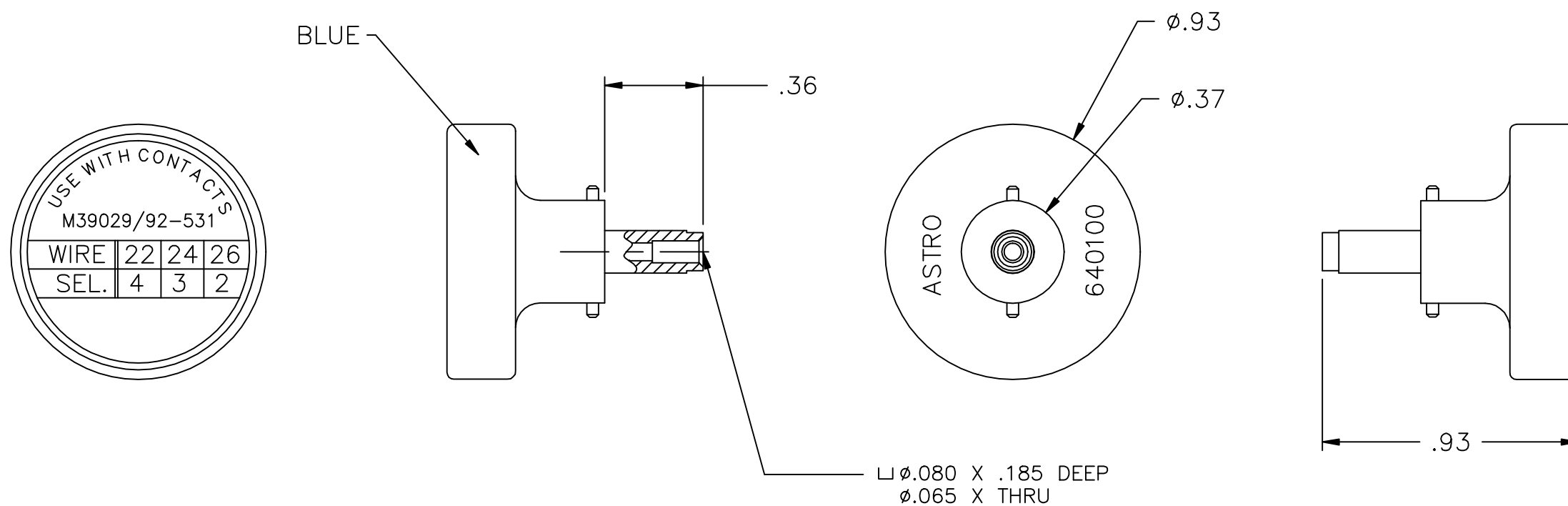



**UNCONTROLLED DOCUMENT  
WILL NOT BE UPDATED**



NOTES: 1. THIS IS AN ACAD DRAWING DO NOT CHANGE MANUALLY.

|                |             |    |      |      |  |                   |   |  |
|----------------|-------------|----|------|------|--|-------------------|---|--|
|                |             |    |      |      | THESE DRAWINGS, SPECIFICATIONS OR OTHER DATA ARE AND REMAIN THE PROPERTY OF ASTRO TOOL CORP. AND MUST BE RETURNED UPON REQUEST. THEY CONTAIN INFORMATION OWNED AND/OR DEVELOPED BY ASTRO AT ITS OWN PRIVATE EXPENSE AND MAY NOT BE USED, DUPLICATED OR DISCLOSED TO OTHERS, IN WHOLE OR IN PART FOR DESIGN, MANUFACTURE OR PROCUREMENT WITHOUT THE WRITTEN PERMISSION OF ASTRO TOOL CORP. EACH AND EVERY TIME. | SCALE:<br>N.T.S.  | UNLESS OTHERWISE SPECIFIED:<br>DECIMALS:<br>.XXX ± .005<br>.XX ± .010<br>.X ± .030<br>ANGLES:<br>± 1° | <br>21615 S.W. TUALATIN VALLEY HWY., BEAVERTON OR 97006<br>CAGE 58164 |
| A NEW RELEASE. |             |    |      |      | DYO  | DWN BY:<br>DYO    |   |  |
|                |             |    |      |      | 07-21-11   | DATE:<br>07-21-11 |   |  |
|                |             |    |      |      | MMK  | APPROVED:         |   |  |
| REV.           | DESCRIPTION | BY | DATE | APR. | DESCRIPTION: ENVELOPE DRAWING: 640100<br>POSITIONER, USE WITH M22520/2-01 FRAME  |                   |   |  |
|                |             |    |      |      | PART NO.   | B                 | 640100-ENV  |  |