

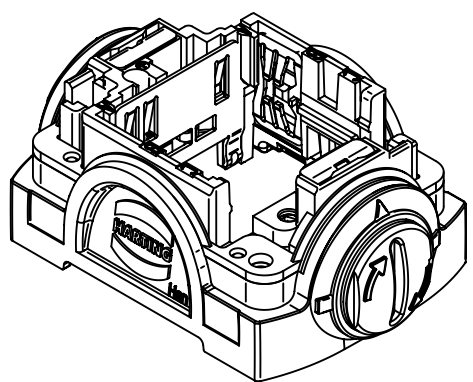
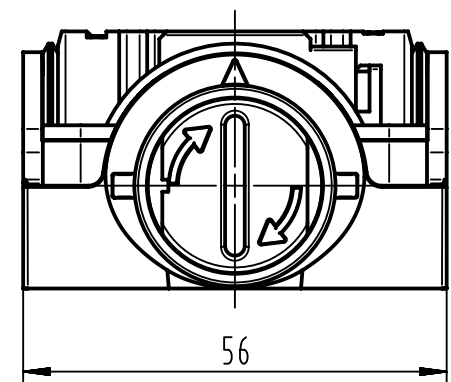
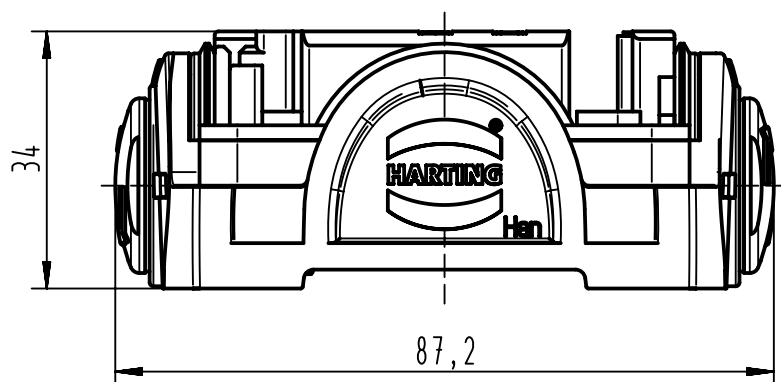
1 2 3 4 5 6

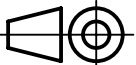

A

B

C

D



|   |   |  |                        |                             |  |                        |
|---|---|--|------------------------|-----------------------------|--|------------------------|
|  All Dimensions in mm<br>Original Size DIN A4    | Scale<br>1:1  |  | Free size tol.         |                             | Ref.                                     |                        |
|   | Created by<br>HOLLERT                               |  | Inspected by<br>GARSKE | Standardisation<br>SCHMIDTM | Date<br>2013-02-08                       | State<br>Final Release |
|  All rights reserved<br>Department<br>EL PD - DE | Title<br>Han-Yellock 30-carrier hood                |  |                        |                             | Doc-Key / ECM-Nr.<br>100186168/UGD/005/B |                        |
|   | HARTING Electric GmbH & Co. KG<br>D-32339 Espelkamp |  | Type<br>TB             | Number<br>11 12 300 0110    |  | Rev.<br>B              |